



# ASK-P3/P4

## LIQUID LEVEL RELAY

### GENERAL FEATURES

#### Working Principle

By relay output, automatic control is provided by sending a signal to the solenoid valve coil or motor contactor. It is also possible to receive a signal or light warning with two relays for alarm purposes. This switch can be operated manually with an additional button.

ASK-P3 / P4 Level Controller is used with level sensors. The magnetic field of the magnet in the float moving along the tube relative to the liquid level opens or closes the electric circuit when it is aligned with the reed sensor. With these changes of Reed sensors, alarm or level information can be evaluated with ASK-P3 / P4.

It has the ability to store the output information in memory. In the situation of the energy cut off and come back it continues to work in the position it when it was cut off.

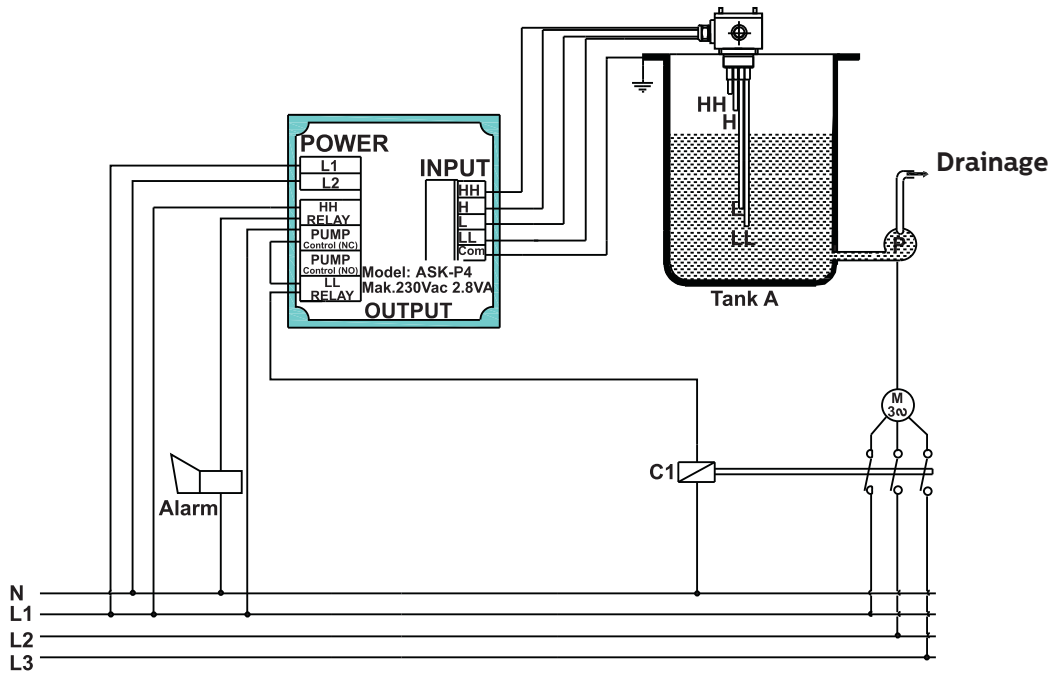
ASK-P4 TECHNICAL SPECIFICATION	
Supply	220 V AC 2,8 VA
Output	2 Piece 5 Amp. Relay, Pump Control Relay
Input	Level information from level switch and level electrodes. When the energy cut off it store the position in the micro processor based memory and continue to operate from current state when the power come back. Inputs Outputs are opto isolate.
Working Temp.	-20...+70C
Panel Dimen.	72X72mm

ASK-P3 TECHNICAL SPECIFICATION	
Supply	220 V AC 2,8 VA
Output	4 Pieces Free Relay 5 AM
Input	Contact information from two independent level switches or conductivity levels. When the energy cut off it store the position in the micro processor based memory and continue to operate from current state when the power come back. Inputs Outputs are opto-isolated.
Working Temp.	-20...+70C
Panel Dimen.	72X72mm

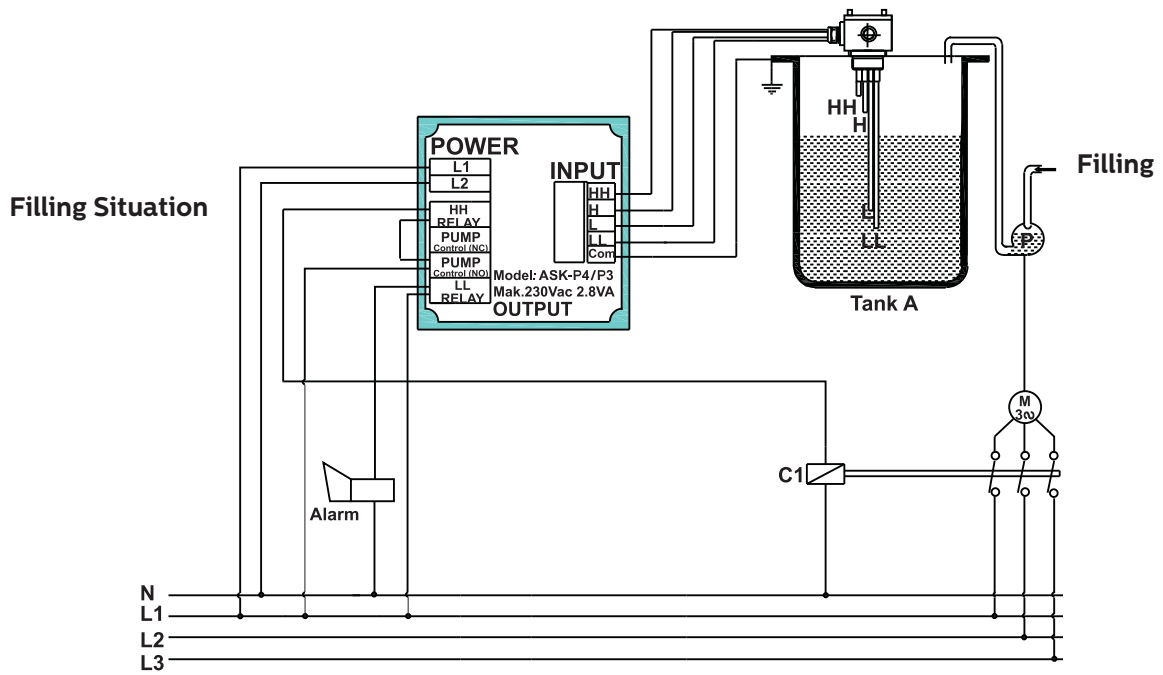
#### Advantages:

- Ability to store outlet information in memory.
- Microprocessor based.

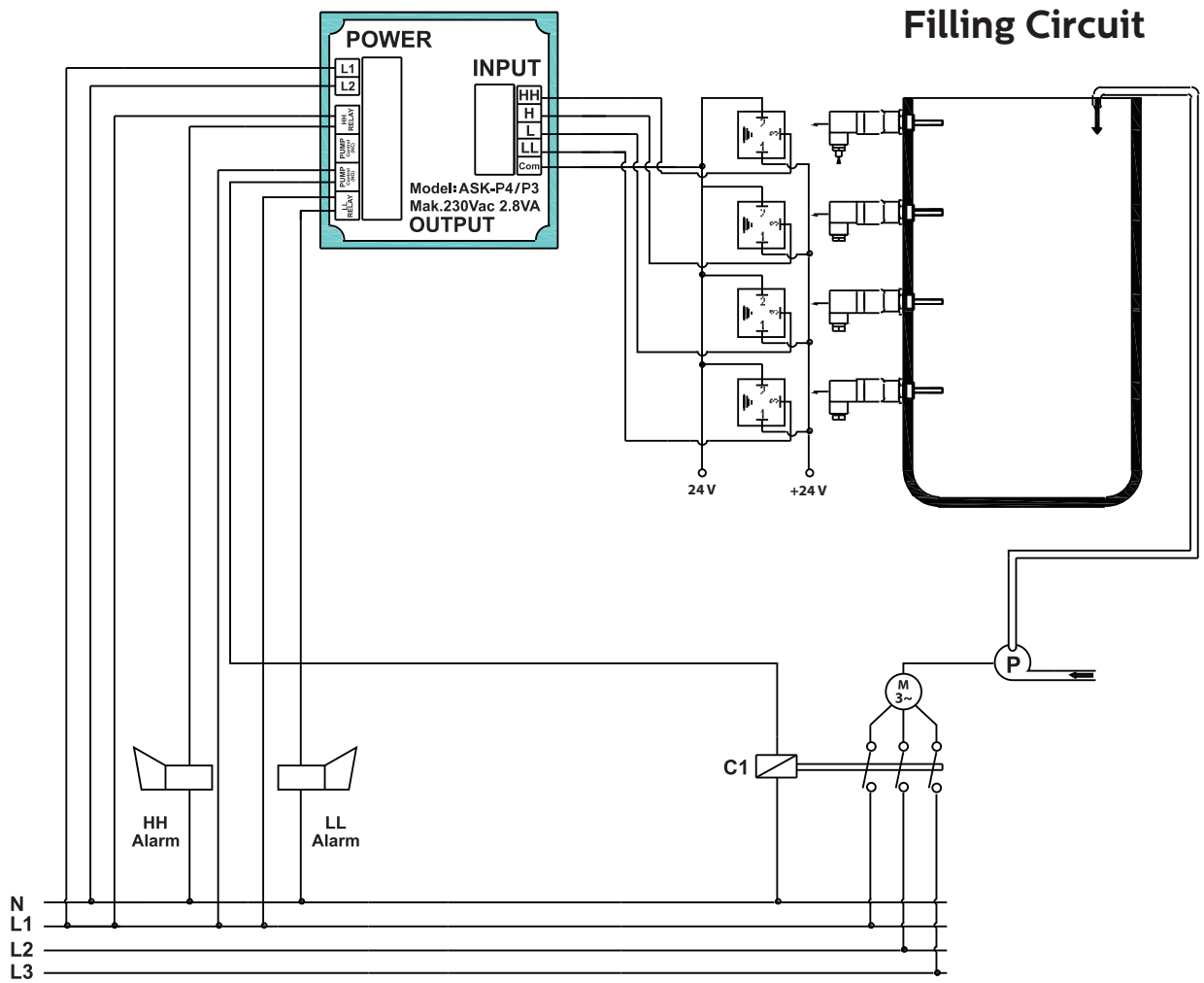
# ASK-P3/P4 LIQUID LEVEL RELAY



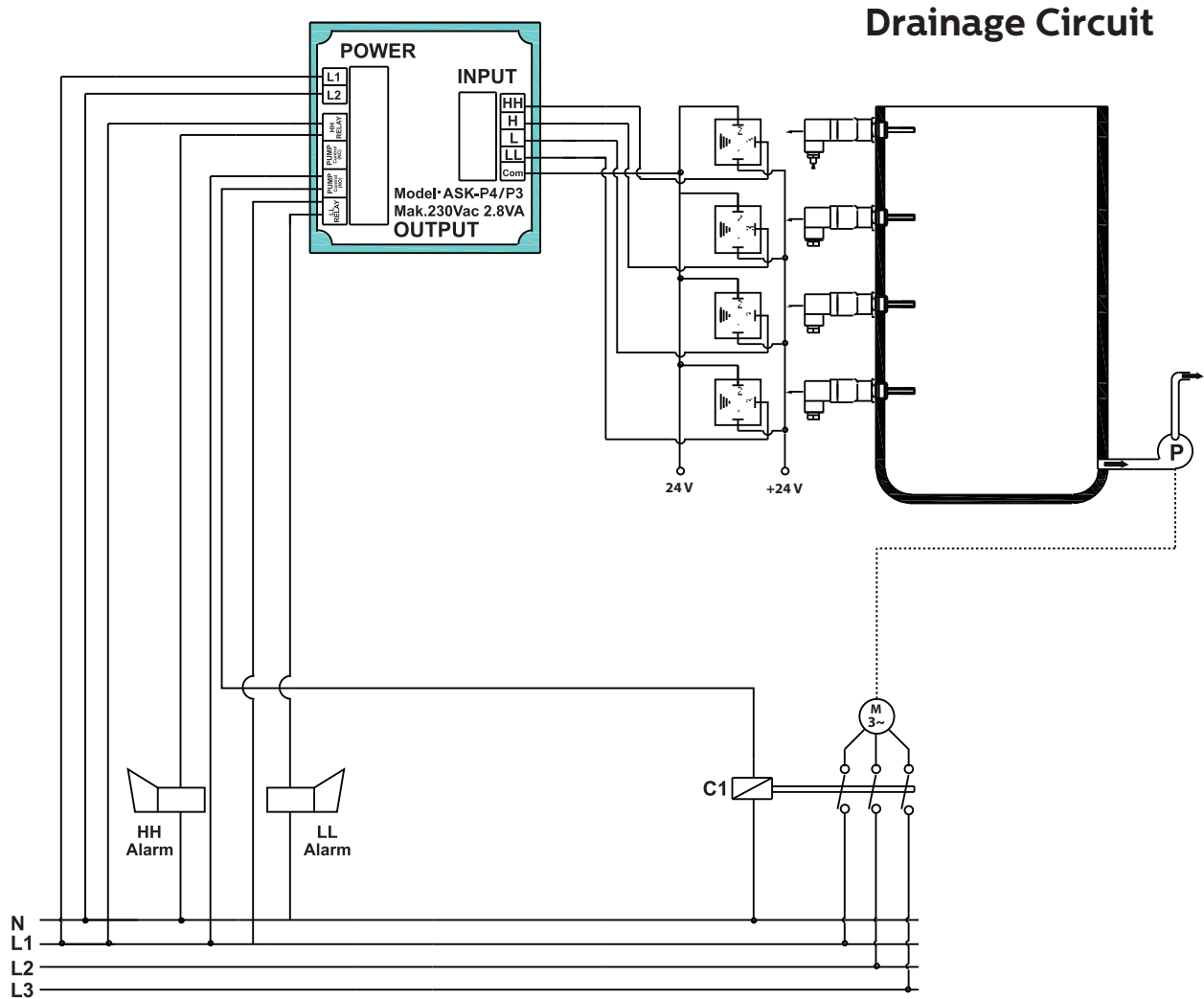
## Filling Circuit



# ASK-P3/P4 LIQUID LEVEL RELAY



# ASK-P3/P4 LIQUID LEVEL RELAY



## HEAD OFFICE - FACTORY

Atatürk Sanayi Bölgesi Hadımköy Mahallesi Mustafa İnan Caddesi No: 44 Arnavutköy - İSTANBUL  
 Tel: +90 212 771 01 45 (pbx) | Fax: +90 212 771 47 27  
 info@ayvaz.com | www.ayvaz.com

**Cona**  
**Caserta/Italy**  
 Tel: +39 0823 187 3988  
 rmolaro@ayvaz.com

**Ayvaz Germany**  
**Viernheim/Germany**  
 Tel: +49 62046014399  
 germany@ayvaz.com

**Ayvaz Ukraine**  
**Kiev/Ukraine**  
 Tel: +380 44 390 57 57  
 info@ayvaz.com.ua

**Tricorr**  
**Warsaw/Poland**  
 Tel: +48 530 030 810  
 +48 533 603 335  
 tricorr@tricorr.eu

**Ayvaz Azerbaijan**  
**Baku/Azerbaijan**  
 Tel: +99 (455) 579-84-32  
 ahayatov@ayvaz.com

**Ayvaz Egypt**  
**Cairo/Egypt**  
 Tel: +20 122 819 78 29  
 andrew.eid@ayvaz.com

**Ayvaz Gulf**  
**Dubai/U.A.E**  
 Tel: +971 563550822  
 +971 501306871  
 mideast@ayvaz.com

**Ayvaz China**  
**Ningbo/China**  
 Tel: +86 152 5830 7361  
 msahin@ayvaz.com

**Ayvaz Kazakhstan LLP**  
**Almaty/Kazakhstan**  
 Tel: +7 (727) 327 97 57  
 info\_kz@ayvaz.com

**Ayvaz N**  
**İsperih/Bulgaria**  
 Tel: +359 8431 27 32  
 office@ayvaz-n.eu

**Ayvaz Serbia**  
**Belgrade/Serbia**  
 Tel: +381 61 658 70 52  
 yakbiyik@ayvaz.com

**Ayvaz Vietnam**  
**HCMC/Vietnam**  
 Tel: +84 89 8508345

**Ayvaz Americas**  
**Rhode Island/USA**  
 Tel: +1 401 737 8380  
 americas@ayvaz.com