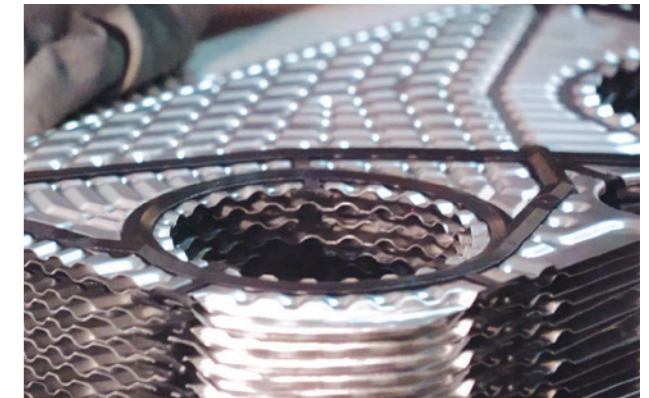


# INDUSTRIAL SOLUTIONS

## PLATE HEAT EXCHANGERS

Rev.0321

info@ayvaz.com | www.ayvaz.com



## **INDUSTRIAL SOLUTIONS**

### PLATE HEAT EXCHANGERS

Energy is getting more important day by day. According to the diminishing of energy sources in tea production; industries are searching for alternative sources to increase the productivity.

In withering, fermentation, dryers or any other processes' energy efficiency can be 25-30% higher according to application investments with low redemption times.

In this case steam getting more important. Trapping steam and more heat usage depends on the correct steam equipment selection. Although steam traps look simple and small, their mission is very complex.

Saving more energy is related to the right chosen steam equipment and sizes. Working principles should be known well for choosing the right steam equipment for the process.

As Ayvaz, we are working for to produce best quality steam equipment in our factory in Istanbul in order to help our customers and the users to get the most efficiency from their steam systems.

We aimed to explain our audit experiences and technical knowledge to partners and introduce different type of steam applications and all related products with details in this catalogue.

## PLATE HEAT EXCHANGERS

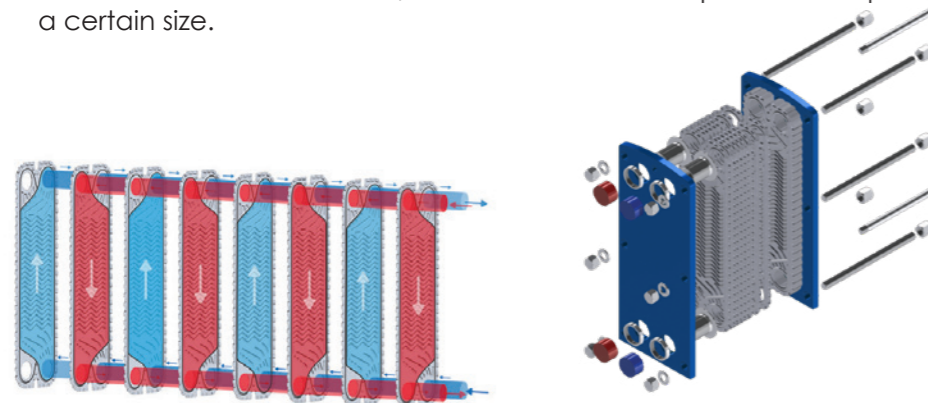
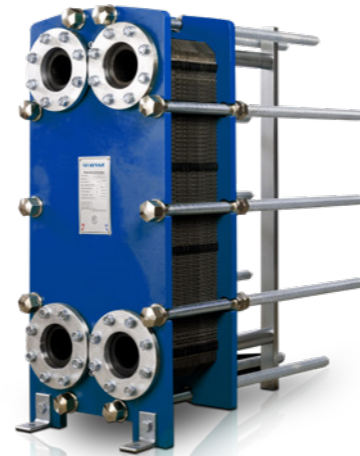
### Working Principle of Plate Heat Exchangers

Plate heat exchangers are items that operate according to the principle of heat transfer between two different fluids with temperature difference. Heating fluid and the fluid to be heated are completely separated by plates.

The standard plate heat exchangers have a total of four inlet-outlet ports, two of which are the inlet and outlet of the heating fluid and the other two of the fluid to be heated. It is also possible to produce heat exchangers with more than one heater or heating fluid with customized production.

### Components

- Front body with input-output connections and information,
- Upper and lower carrying bar used to secure the plates,
- The first plate that prevents the liquid from contacting with the body,
- Flow plates that allow the passage of fluids and heat transfer,
- Completely closed end plate, which prevents fluid from coming into contact with the rear body,
- Rear body that can move on the bar,
- It consists of studs and knots, which ensure that the plates are kept at a certain size.



## PLATE HEAT EXCHANGERS



MODEL	AE503	AE504	AE505	AE508	AE509	AE510	AE513	AE514	AE517	AE520
Width (mm)	167,5	200	200	292	292	425	350	350	340	436,5
Height (mm)	397	490	490	782	782	704	942	942	1070	980
Distance Between Connections (Horizontal mm)	50	72	59,5	100	100	203	140	140	150	190
Distance Between Connections (Vertical mm)	292	383	356	546	546	380	640	640	800	608
Max. Operating Pressure (bar)	25	25	25	25	25	25	25	25	25	25
Test Operating Pressure (bar)	37,5	37,5	37,5	37,5	37,5	37,5	37,5	37,5	37,5	37,5
Connection Diameter	1" Threaded	1 1/4" Threaded	1 1/4" Threaded	2" Threaded/ Flanged	2" Threaded/ Flanged	2 1/2" Threaded/ Flanged	2" Threaded/ flanged	2" Threaded/ Flanged	2 1/2" Threaded/ Flanged	3" Flanged

MODEL	AE521	AE522	AE523	AE535	AE547	AE650	AE662	AE685	AE5125	AE6180
Width (mm)	470	470	327	465	491	765	608	780	920	1190
Height (mm)	1090	1090	1292	1445	1775	1485	1830	2100	2895	2920
Distance Between Connections (Horizontal mm)	223,5	223,5	140	238	222,5	366	297	353	439	596
Distance Between Connections (Vertical mm)	718	718	1036	1070	1338	935	1292	1478	1939	1842
Max. Operating Pressure (bar)	25	25	25	25	25	25	25	25	25	25
Test Operating Pressure (bar)	37,5	37,5	37,5	37,5	37,5	37,5	37,5	37,5	37,5	37,5
Connection Diameter	4" Flanged	4" Flanged	2" Threaded/ Flanged	3" Flanged	4" Flanged	8" Flanged	6" Flanged	8" Flanged	10" Flanged	12" Flanged

## PLATE HEAT EXCHANGERS

MATERIALS	
Plate Material	AISI 316, Titanium, Hastelloy
Connection Material	Carbon Steel, Stainless Steel, Plastic
Body Material	Carbon Steel, Stainless Steel
Gasket Material	EPDM, EPDM-HT, NBR, H-NBR, VITON, VITON-G

Plate heat exchangers, which are the rising value of the plate heat exchanger market, always receive their real power from the design team that supports them. Ayvaz, which proves that there are still innovations to be made in the plate heat exchanger market where all the technologies become commonplace, will continue to be on the way with new works with its design team day by day.

### Components

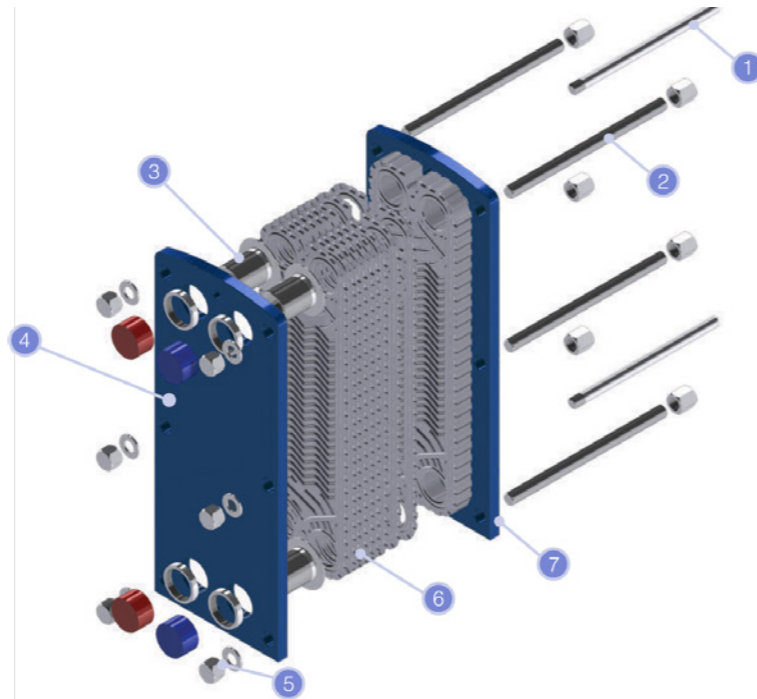
1	Carrying bar
2	Rods
3	Connection ports
4	Front body
5	Bolts, Nuts and Washers
6	Plates
7	Rear body

### Easy Repair & Maintenance

- Safety Stamp
- Counter Flanges
- Stud Channels
- Fixing Feet

### Compliance and Quality

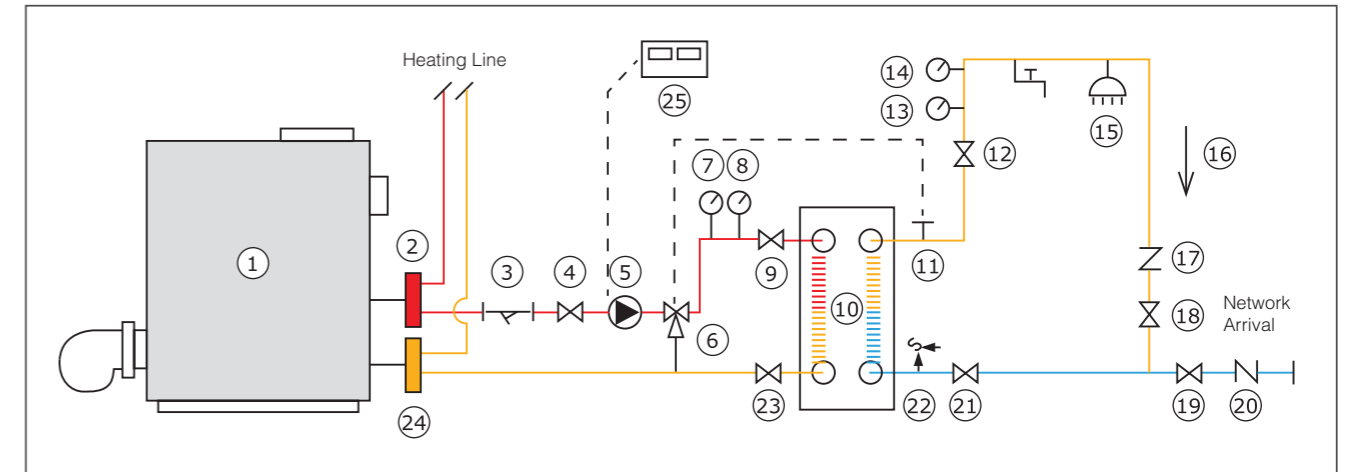
- Test Tag on Body
- CE Label on Body
- Capacity



## APPLICATIONS

### HVAC - HEATING, COOLING AND VENTILATION Domestic Hot Water

Domestic hot water in industry and housing is a must for comfort. With plate heat exchangers, your domestic water can be produced centrally or individually. Compared to old systems, it is more hygienic, more efficient, longer lasting, more economical and more compact. With this system, your system can achieve its old performance with minor revisions, instead of replacing the system in case of problems such as residual calcification and excess chlorine-induced deformation.

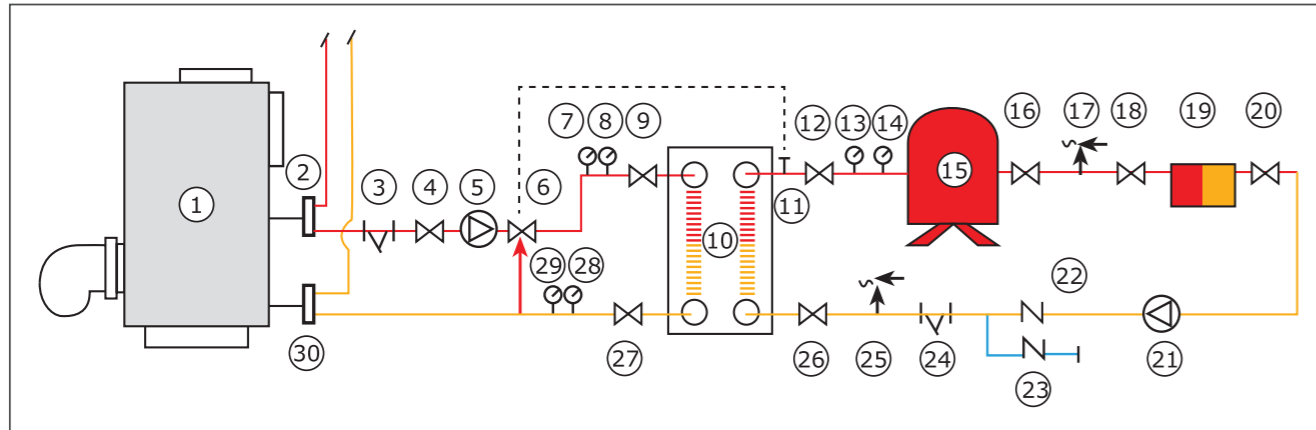
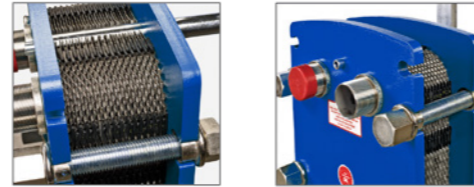


1	Boiler	6	Threeway rational valve	11	Temperature Sensor	16	Recirculation	21	Valve
2	Line Collector	7	Thermometer	12	Valve	17	Check Valve	22	Safety Valve
3	Dirt Holder	8	Manometer	13	Thermometer	18	Valve	23	Valve
4	Valve	9	Valve	14	Manometer	19	Valve	24	Returning Collector
5	Pump	10	Heat Exchanger	15	Usage Area	20	Check Valve	25	Control Panel

## APPLICATIONS

### Radiator Heating

By using hot water from sources such as regional heat centers, geothermal resources and electricity generation facilities; a region, a district, even a complete province can be heated. With the plate heat exchangers specially designed according to the type of the source, the zone can be separated into zones and placed under each building and hot water can be produced according to the needs of the buildings.

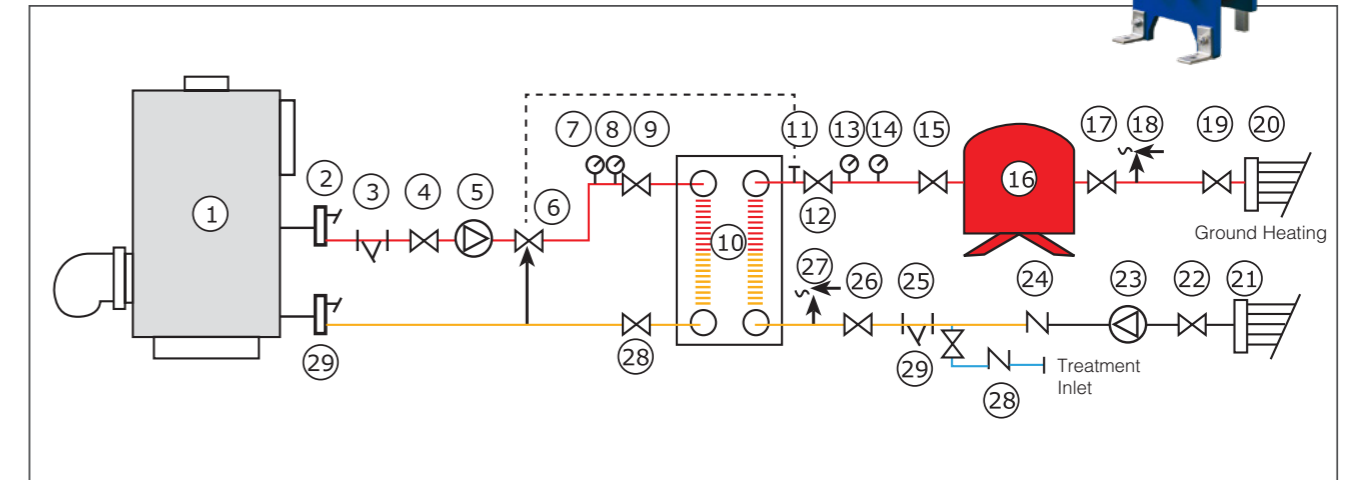


1	Boiler	7	Thermometer	13	Thermometer	19	Radiator	25	Safety Valve
2	Line Collectors	8	Manometer	14	Manometer	20	Radiator Valve	26	Valve
3	Dirt Holder	9	Valve	15	Expansion Tank	21	Circulation Pump	27	Valve
4	Valve	10	Heat Exchanger	16	Valve	22	Check Valve	28	Thermometer
5	Circulation Pump	11	Temperature Sensor	17	Safety Valve	23	Check Valve	29	Manometre
6	Threeway Valve	12	Valve	18	Radiator Valve	24	Dirt Holder	30	Returning Collector

## APPLICATIONS

### Floor Heating Systems

The plate heat exchangers, which are used to prevent the heating source from being affected by corrosion in underfloor heating systems, which are frequently used in areas where more heating comfort is desired recently, serves as a protective wall between the heated area and the heating source. Thanks to its high corrosion resistance, carbon steel body, stainless steel plate and special designs, plate heat exchangers guarantee years of trouble-free operation.

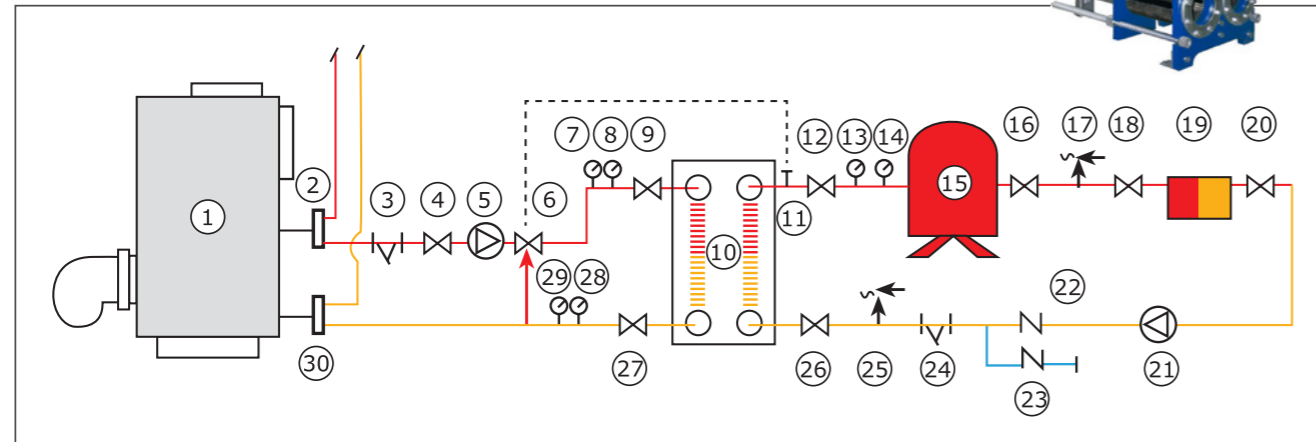


1	Boiler	7	Thermometer	13	Thermometer	19	Valve	25	Dirt Holder
2	Line Collectors	8	Manometer	14	Monometer	20	Floor Heating Going Collector	26	Valve
3	Dirt Holder	9	Valve	15	Valve	21	Floor Heating Returning Collector	27	Safety Valve
4	Valve	10	Heat Exchanger	16	Expansion Tank	22	Valve	28	Valve
5	Circulation Pump	11	Temperature Sensor	17	Valve	23	Circulation Pump	29	Returning Collector
6	Threeway Valve	12	Valve	18	Safety Valve	24	Check Valve		

## APPLICATIONS

### Pressure Breaker

In high-rise buildings, severe pressures arise from the height of the system. Sending this pressure from the system to the bottom of the heating-cooling system causes the system to overload and fatigue. In addition, the initial investment cost is very high since the installation is to be installed with high pressure armatures. In these systems, plate heat exchangers which are resistant to high pressure to be placed between the boiler room or the cooler group and the installation meet the pressure coming from the system and ensure the boiler-cooling system in the primary circuit to operate at low pressures.

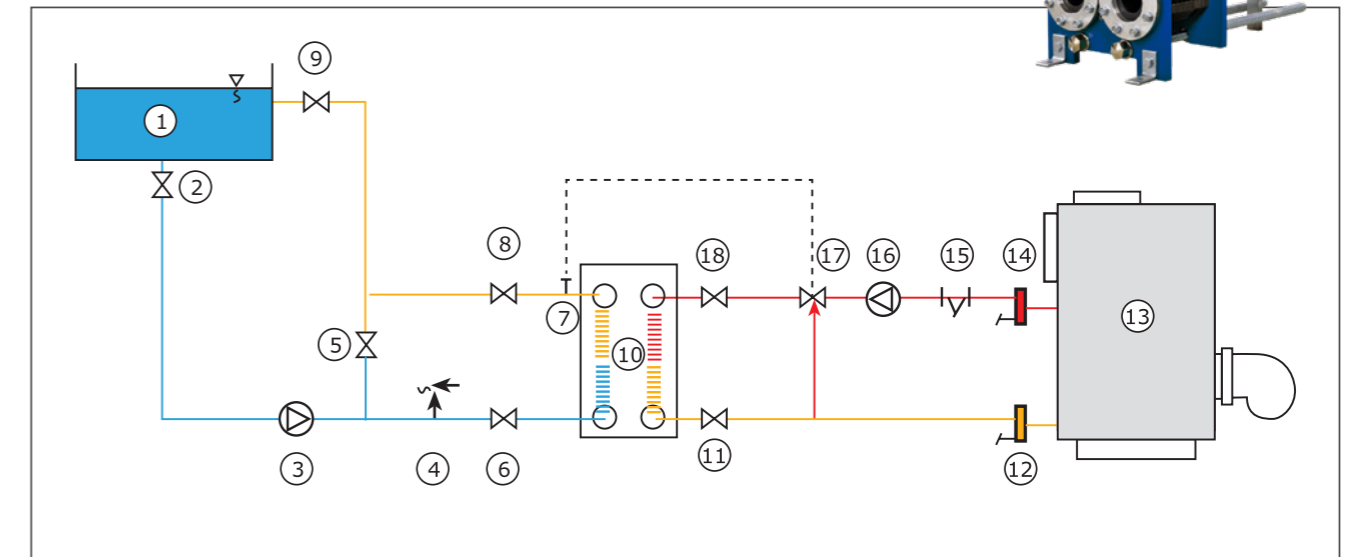
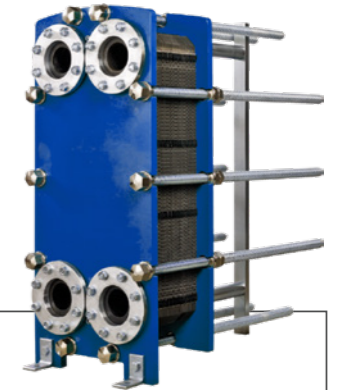


1	Boiler	7	Thermometer	13	Thermometer	19	Radiator	25	Safety Valve
2	Line Collectors	8	Manometer	14	Manometer	20	Radiator Valve	26	Valve
3	Strainer	9	Valve	15	Expansion Tank	21	Circulation Pump	27	Valve
4	Valve	10	Heat Exchanger	16	Valve	22	Check Valve	28	Thermometer
5	Circulation Pump	11	Temperature Sensor	17	Safety Valve	23	Check Valve	29	Manometer
6	Threeway Valve	12	Valve	18	Radiator Valve	24	Strainer	30	Returning Collector

## APPLICATIONS

### Swimming Pool Heating

All the pools must be between certain temperatures, whether for swimming pool or health. plate heat exchangers are used with the help of simple automation to keep the pools between the desired temperatures. Due to their compact design, the plate heat exchangers cover very little space in the engine room of your pool, allowing you to keep the pool at the desired temperature.

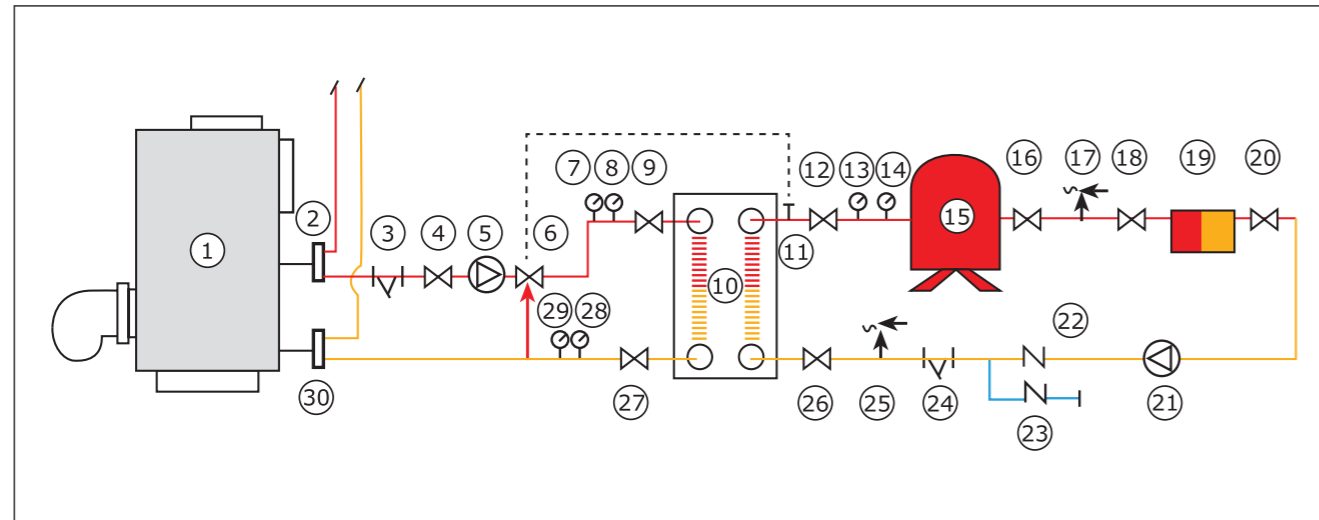
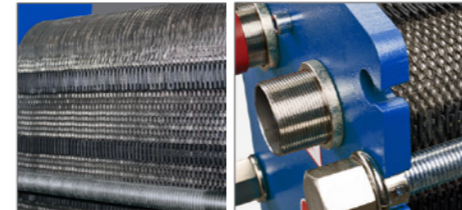


1	Pool	5	Valve	9	Valve	13	Boiler	17	Threeway Valve
2	Valve	6	Valve	10	Heat Exchanger	14	Line Collector	18	Valve
3	Pool Circulation Pump	7	Temperature Sensor	11	Valve	15	Strainer		
4	Safety Valve	8	Valve	12	Returning Collector	16	Circulation Pump		

## APPLICATIONS

### Central Heating Systems

As a part of new laws in our country, central systems are encouraged and it has been becoming mandatory in some situations. The main cause of this is that central system is more efficient compared to individual use and consumes less energy. Plate Heat Exchangers are able to produce hot water for heating of residential areas and for utility purposes.

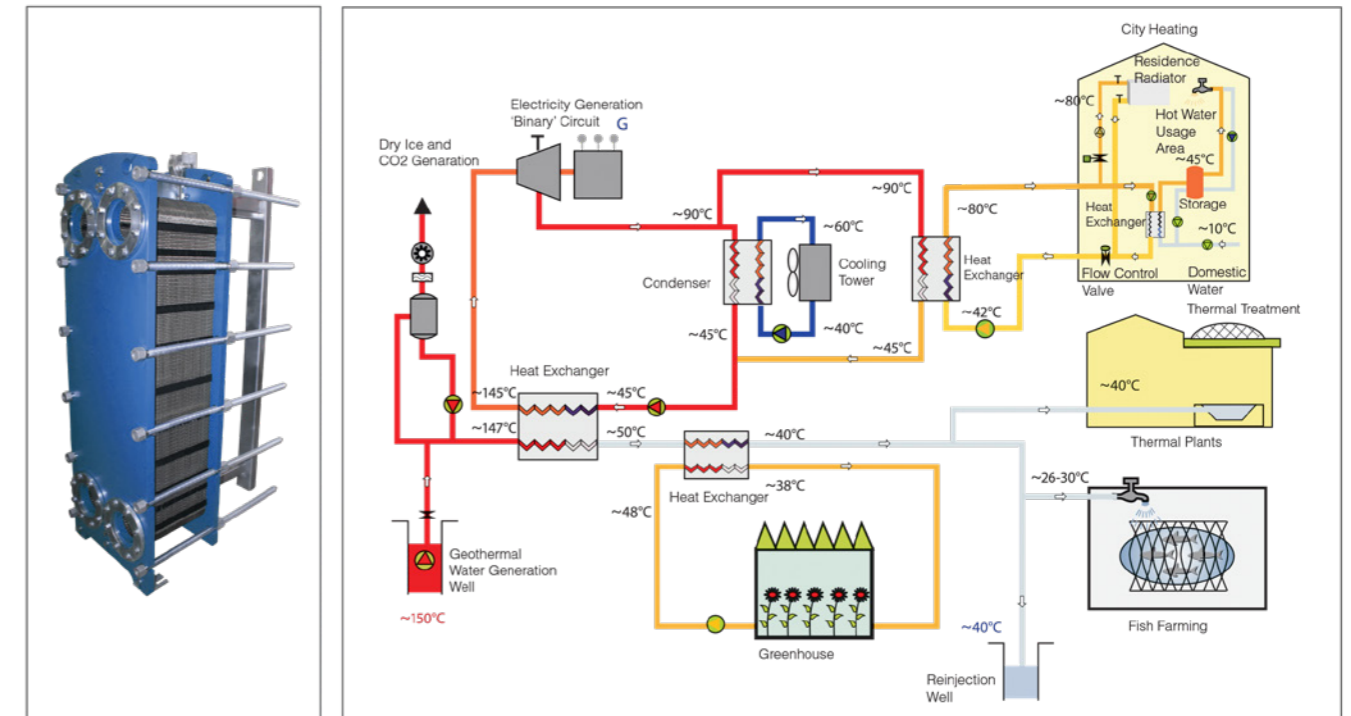


1	Boiler	7	Thermometer	13	Thermometer	19	Radiator	25	Safety Valve
2	Line Collectors	8	Manometer	14	Manometer	20	Radiator Valve	26	Valve
3	Dirt Holder	9	Valve	15	Expansion Tank	21	Circulation Pump	27	Valve
4	Valve	10	Heat Exchanger	16	Valve	22	Check Valve	28	Thermometer
5	Circulation Pump	11	Temperature Sensor	17	Safety Valve	23	Check Valve	29	Manometre
6	Threeway Valve	12	Valve	18	Radiator Valve	24	Dirt Holder	30	Returning Collector

## APPLICATIONS

### Geothermal Heating Systems

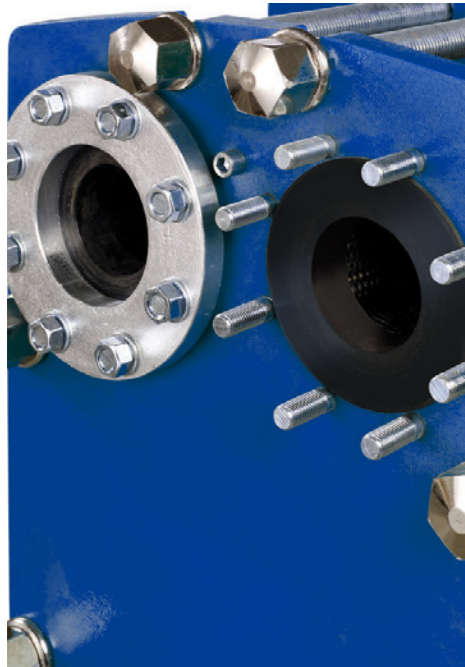
Turkey is rich in geothermal resources and after the recent energy crisis, Turkey has accelerated its investments in this field. Ayvaz plate heat exchangers, which are used in both domestic heating and domestic water production, proved their success in the sector and became one of the most preferred brands in this regard.



## APPLICATIONS

### Heat Recovery Systems

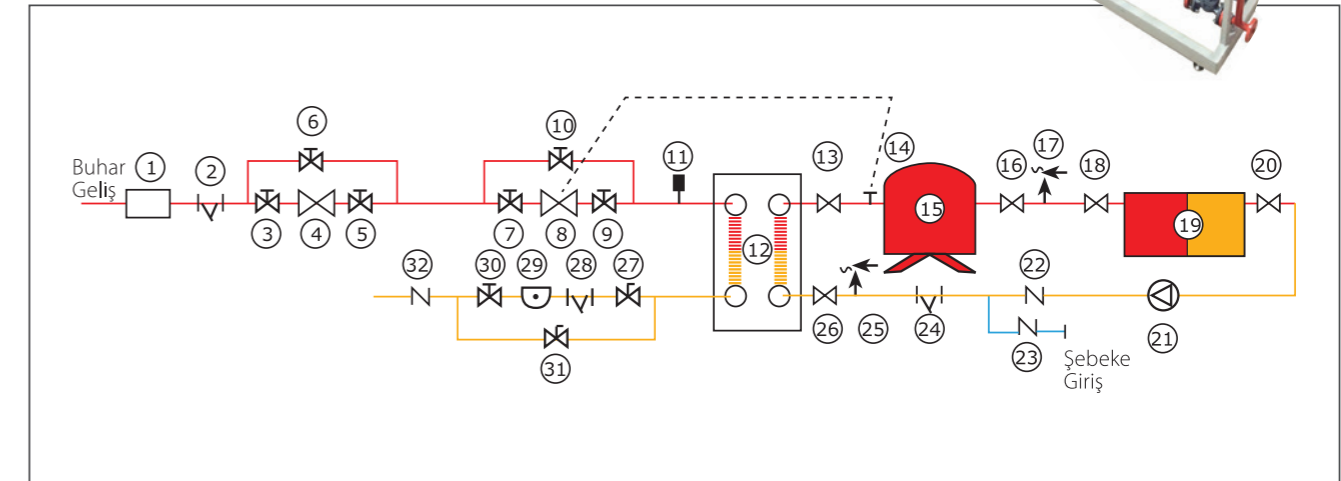
In today's conditions, where energy is getting more expensive day by day, there is no need to waste energy in industry or individual use. The budgets allocated to energy in industrial establishments have increased by 20% -40% in recent years and they are at the top of the expenses section. Taking all these points into account, the recovery of energy has become very important. Ayvaz plate heat exchangers prevent the waste of your thermal energy with wide variety of plate and gaskets suitable for each system.



## APPLICATIONS

### Power Generation Plants

Thermal power plants are places where electricity is produced, as well as very large sources of hot water. Extra systems for cooling the hot water that is generated in these systems are installed and a lot of money is spent. At this point, Ayvaz plate heat exchangers are activated and they provide free cooling of water in these systems as well as providing a complete heating of the area with the heat energy taken from it.



1	Seperator	7	Valve	13	Valve	19	Radiator	25	Safety Valve
2	Dirt Holder	8	Thermostatic Valve	14	Temperature Sensor	20	Valve	26	Valve
3	Valve	9	Valve	15	Expansion Tank	21	Circulation Pump	27	Valve
4	Pressure Reducer	10	Valve	16	Valve	22	Check Valve	28	Dirt Holder
5	Valve	11	Vacuum Breaker	17	Safety Valve	23	Check Valve	29	Steam Trap
6	Valve	12	Heat Exchange	18	Valve	24	Dirt Holder	30	Valve



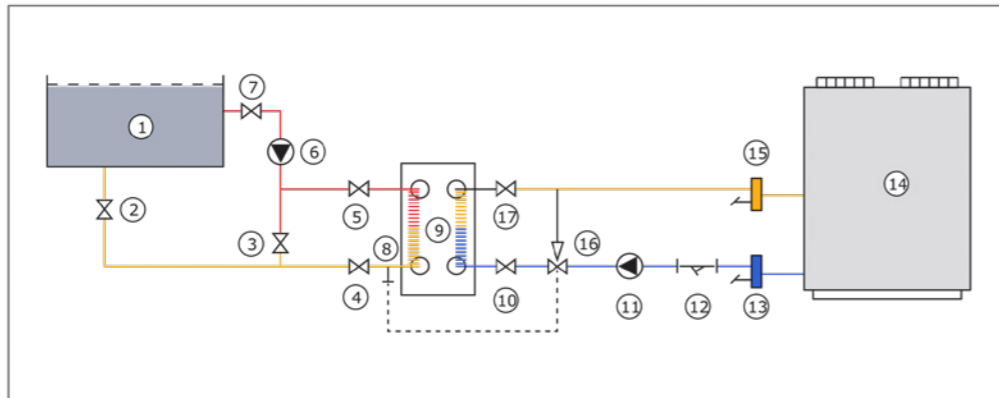
## APPLICATIONS

### Cooling of Rolling Oil

The oil used in the rolling mills becomes hot as a result of the process and the lubricating properties are reduced; as a result, operating performance is reduced. Ayvaz plate heat exchangers are used to keep the rolling oil at optimum temperature. With the cooling tower and the chiller circuit connected to the secondary circuit of the heat exchanger, and a simple automation, your rolling oil remains constant at the desired temperatures and your plant operates at maximum performance.

### Boron Oil Cooling

Boron oil, one of the cornerstones of industry, is the lifeblood especially for metal cutting. The quality and temperature of the boron oil are very important for maximum efficiency and maximum life from the cutting edge. In order to keep the boron oil at optimum temperature, the cooling tower or chiller used with Ayvaz plate heat exchangers provides maximum efficiency.

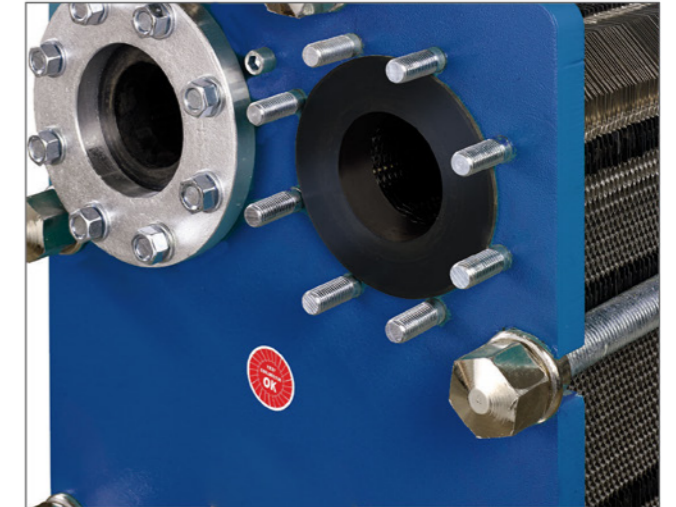


1	Oil Tank	5	Valve	9	Heat Exchanger	13	Going Collector	17	Valve
2	Valve	6	Oil Circulation Pump	10	Valve	14	Cooling Tower		
3	Valve	7	Valve	11	Circulation Pump	15	Returning Collector		
4	Valve	8	Oil Tank	12	Dirt Holder	16	Threeway Rational Valve		

## APPLICATIONS

### Chiller Group Circuit

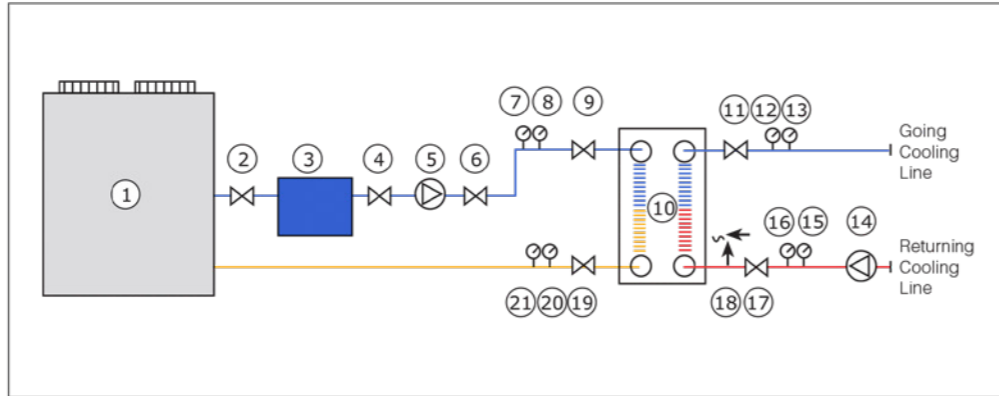
The cooling tower is generally insufficient for applications where low temperature water is desired. Therefore, chillers are preferred in these applications. Chiller groups are generally very sensitive, expensive and difficult to repair. Therefore, in case of any negative situation that may arise from the installation, large damages can occur. The Ayvaz plate heat exchangers separate the system from the chiller circuit, allowing the two systems to operate independently of each other, as well as the heat transfer between them.



## APPLICATIONS

### Cooling Group Circuit

Nowadays, cooling towers are the most commonly used cooling source to meet the cooling needs of industrial plants. Ayvaz plate heat exchangers are used in both types of these open and closed towers. Since some solid particles from the medium are mixed into the water in the open towers, the water where these particles are located cannot be sent directly to the system to be cooled. Using the Ayvaz plate heat exchanger between the system to be cooled and the open tower, the two systems are separated as two separate circuits and the Ayvaz plate heat exchangers collect all the risks on themselves. In case of contamination over time, only the heat exchanger can be cleaned and the system will perform the same performance again.

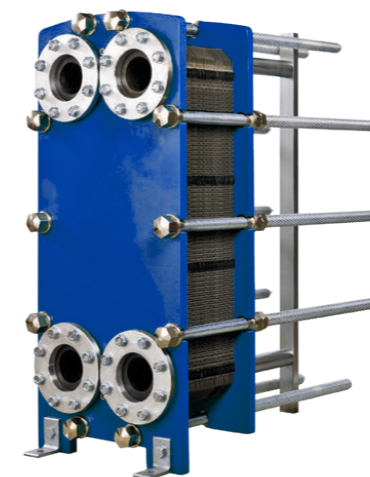


1	Cooling Group	6	Valve	11	Valve	16	Manometer	21	Manometer
2	Valve	7	Thermometer	12	Thermometer	17	Valve		
3	Tank	8	Manometer	13	Manometer	18	Safety Valve		
4	Valve	9	Valve	14	Circulation Pump	19	Valve		
5	Circulation Pump	10	Heat Exchanger	15	Thermometer	20	Thermometer		

## APPLICATIONS

### Waste Heat Recovery

Industrial facilities have many wasted heat sources such as rotten steam and hot water returning from fabric washing. At the same time, there are applications that require heat, such as domestic hot water production and office heating. With the Ayvaz plate heat exchanger you will use to transfer heat from existing heat sources to the part that needs heat, you do not waste your heat and you need to save extra heat for the heat requirement. Nowadays, the most important factor that will relax businesses is to reduce costs. Energy expenses, one of the biggest factors in expenses, are now worth the gold for everyone and cannot be ignored. A heat exchanger to be used for heat recovery with a rough calculation now pays off in 3-6 months and starts to add value to the operation in a short time.



## STAINLESS STEEL HEAT EXCHANGERS

The difference of food plate heat exchangers from other heat exchangers is their hygienic nature in terms of their bodies and all surfaces in contact with food are produced as stainless. In addition, the gaskets have FDA (food conformity) certificate.



### Usage Areas

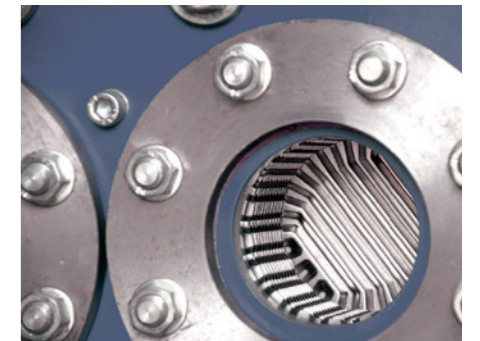
- Milk Heating and Cooling
- Cream Cooling
- Pasteurisers
- Brine Heating and Cooling
- Juice Pasteurisers
- Whey Processing

## PLATE HEAT EXCHANGERS



### Cooling Systems in Ships

Engine cooling systems are divided into two. Direct and two-circuit (indirect) and indirect, two-circuit (indirect) cooling. Direct cooling is smooth and suitable for engines designed as marine engines. Cylinder blocks and other water-circulating equipment are protected by seawater-resistant alloys and anchors. Most outboard marine engines and small powered internal engines are built in this way. A motor driven marine seawater pump absorbs water and circulates it in the engine and provides cooling. In normal use, the engine does not reach the ideal operating temperature required and runs cold, since this pump is sized to provide adequate cooling even when the motor is most stressed. For this reason, a by-pass line and thermostat have been developed to regulate the flow of water sent to the engine and to provide sufficient heating of the engine.



In two-circuit cooling systems, the fresh water circulates inside the engine (just like in motor vehicles or stationary industrial engines). Thus, the internal parts of the engine are protected from the effects of sea water. The seawater pump (which can also feed the exhaust system and sleeve bearings to the water at the same time.) Sends sea water to a Ayvaz plate heat exchanger. The warmed fresh water from the engine is circulated in the plates inside the Ayvaz plate heat exchanger

## PLATE HEAT EXCHANGERS

### Standard Plates

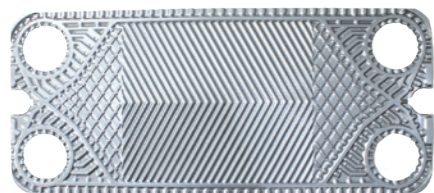
Standart Ayvaz plates are used in applications such as hot water supply, low pressure steam applications and space heating.

Special distribution channels, can be designed according to the needs of wide and narrow angle types, minimum pressure losses with the maximum efficiency of the special plate depth provides the right solution in such applications.

### Wide Range Plates

In some embodiments, solid particles may be present in the fluid passing through the heat exchanger. For these applications, the wide range of plates are specially designed by the Ayvaz team and the particles contained in the fluid can continue without sticking to the channels inside the heat exchanger and the contamination within the exchanger can be kept at minimum levels.

These plates, which are designed with wide gap, are also thicker than standard plates. In this way, the resistance to corrosive agents that are likely to be present in the flow is increasing. It is especially used in the textile industry to ensure optimum efficiency in



waste water recovery.

### Semi-Welded Plates

In some applications where aggressive fluids and high temperatures are present, seal life can be very short. Therefore, in these applications, it is recommended to use Ayvaz semi-welded plates where two plates are welded to each other by laser welding instead of using seals on the side of the aggressive fluid. In the heat exchanger, the fluid on the other side passes through the sealing surface as in standard applications. In this way, your system is safe, but the heat exchanger can be easily maintained.

### Double-Protection

MIT double-protection plates ensure that the system is completely safe when the two fluids used in the process should not be mixed. In these exchangers, the two plates are connected without welding and the fluid can flow freely between these two plates

In case of any leakage, the fluid leaks through the two plates without interfering with the other fluid and can be intervened in advance. Due to its similarity to the standard heat exchangers, it can be easily removed and cleaned.



## PLATE HEAT EXCHANGERS

### Central Heating Systems

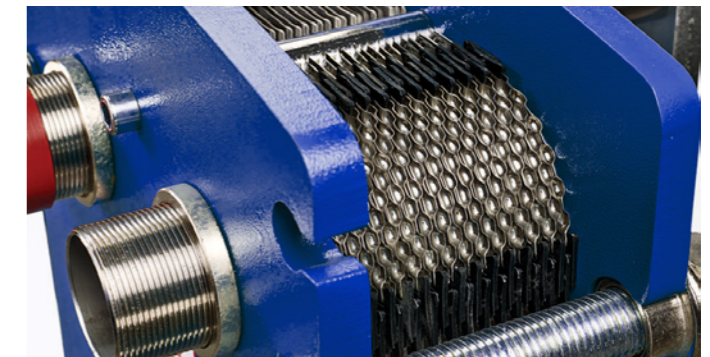
In the central cooling systems, the fresh water circulation line on the secondary side is cooled using sea water. The cold water in this cooled fresh water circulation line acts as a refrigerant for the heat exchangers in cooling systems such as engine cooling, jacket water cooling. The use of fresh water in the secondary circuit reduces the corrosion and wear of the circuit elements in the machine lines and minimizes the backup and maintenance costs. Ayvaz plate heat exchangers make your system safer and last longer.

With the Ayvaz plate heat exchangers offering the most suitable solutions for all capacities, your initial investment costs are kept to a minimum. In our heat exchangers, which are fully compatible with all systems with different plate angles and types, stainless steel and titanium plates are offered as standard and they can use different plate materials to suit your needs. In maritime sector, standard bodies can be used as well as complete aluminum and aluminum alloy light bodies which are specially designed for the sector can be used when weight is important.

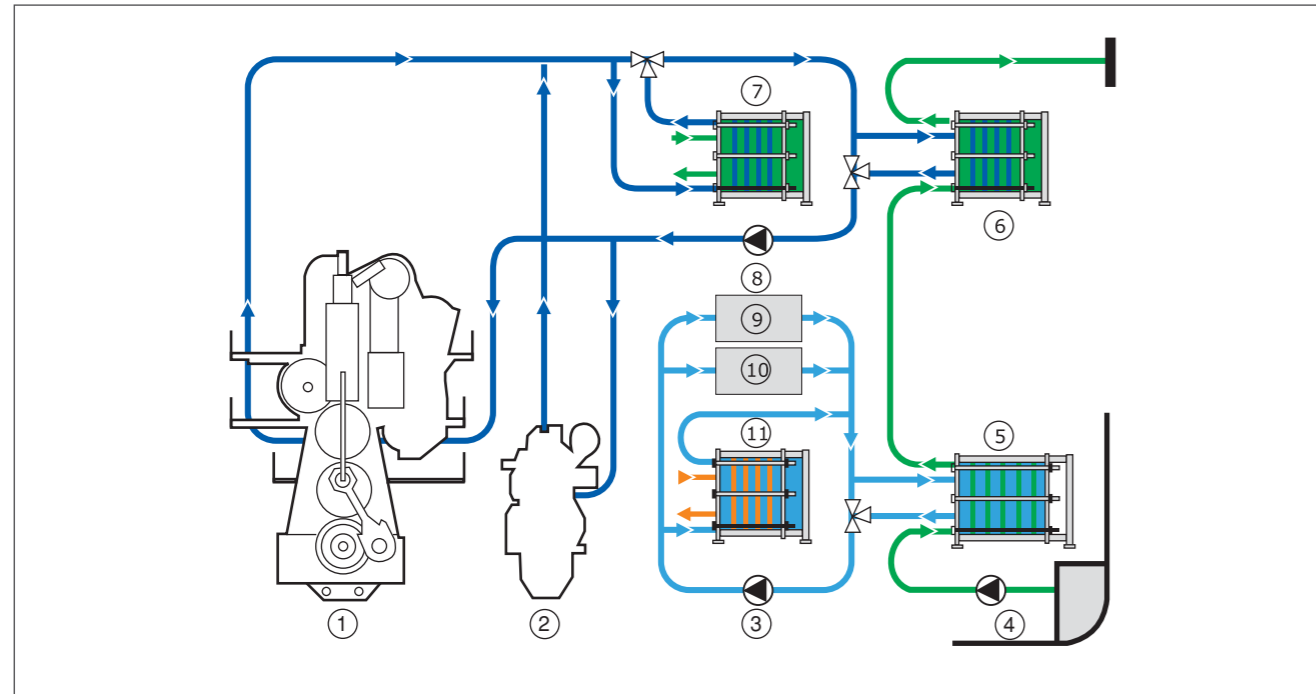
The most important problem of the maritime sector is the highly corrosive effect of seawater. Ayvaz plate heat exchangers are always on your side to solve this problem with complete titanium and titanium alloy 316 plates. Ayvaz plate heat exchangers are the only solution point of the sector with plate, gasket and body types suitable for every process that may be needed on a ship.

Other cooling applications on board;

- Main Motor Cooling
- Lubricating Lubricating Oil
- Camshaft Cooling
- Fuel Oil Heating
- Water Distillation Cooler



## PLATE HEAT EXCHANGERS



1	Main Engine	4	Sea Water Pumps	7	Preheater For Sea Water Desalination	10	Charge Air Cooler M.E.
2	Aux. Engine	5	LT - Central Coolers	8	HT - Fresh Water Pumps	11	Lube oil cooler M.E.
3	LT - Fresh Water Pumps	6	HT - Central Coolers	9	Auxiliaries		

## Why Should Be Used Ayvaz Plate Heat Exchangers?

- It transfers heat with very high efficiency.
- Due to its compact structure, it occupies very little space.
- It can be completely disassembled and cleaned.
- Wide plate and gasket variety.
- Entirely manufactured in Turkey.
- Extensive service and dealership network.
- Launched by the main manufacturer.
- Always the most economical solution.
- It is designed by its experienced and solution-oriented engineers and offered to its customers.
- Quality certificates such as CE, ISO, EAC, TSE-HYB, BV.
- It is under Ayvaz guarantee for 2 years.
- It is delivered to you with the shortest delivery time.

## PROFESSIONAL SERVICE NETWORKS

Ayvaz provides service for all brand and model heat exchangers as well as manufacturing Ayvaz plate heat exchangers. The content of the professional service is determined and applied according to the need and it is ensured that your system complies with the performance of the first day.

### Problems in Plate Heat Exchangers

- Performance degradation due to calcification.
- Obstruction due to sediment and dirt from the facility.
- Excessive pressure losses due to occlusion.
- Decrease in heat transfer due to occlusion.
- Wear of gaskets over time.
- Seals have lost their sealing properties.
- Corrosion and deformation of the plates.
- The body is deformed by internal and external factors

## PLATE HEAT EXCHANGERS

When you encounter any of these problems mentioned in heat exchanger systems, all you have to do is to reach the professional service department of and enjoy the service you will receive.

### Professional Service Package Contents

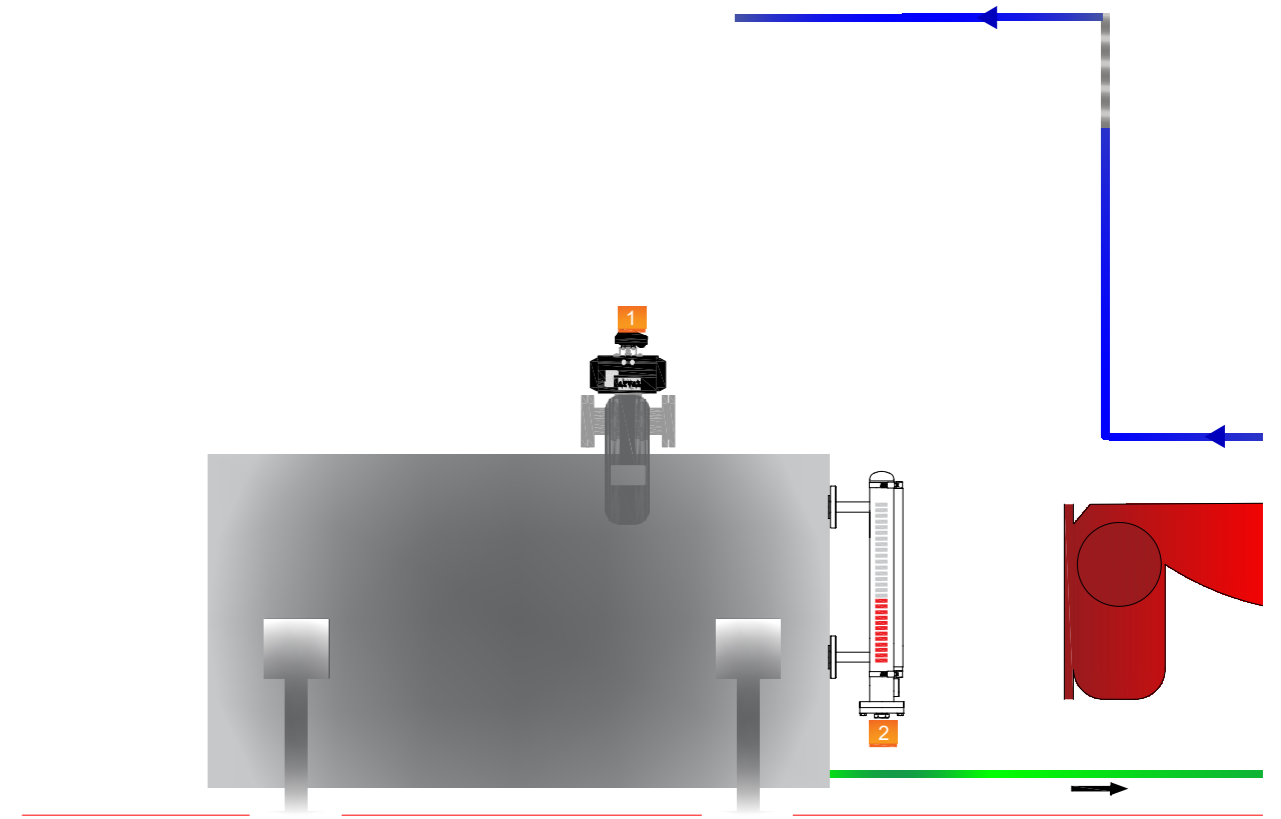
- Plate supply for each brand and model.
- Supply of seals for all brands and models.
- Revision and cleaning of heat exchanger bodies.
- Quick and detailed cleaning of the heat exchanger plates.
- Descaling of heat exchanger plates with special chemicals.
- Supply and manufacture of all types of nuts and bolts in heat exchangers.
- Delivery of the heat exchanger as it was on the first day.
- 24/7 continuous service.



## BOILER ROOM

### TANK SECTION (FEED WATER, DEAERATOR, CONDENSATE RECOVERY)

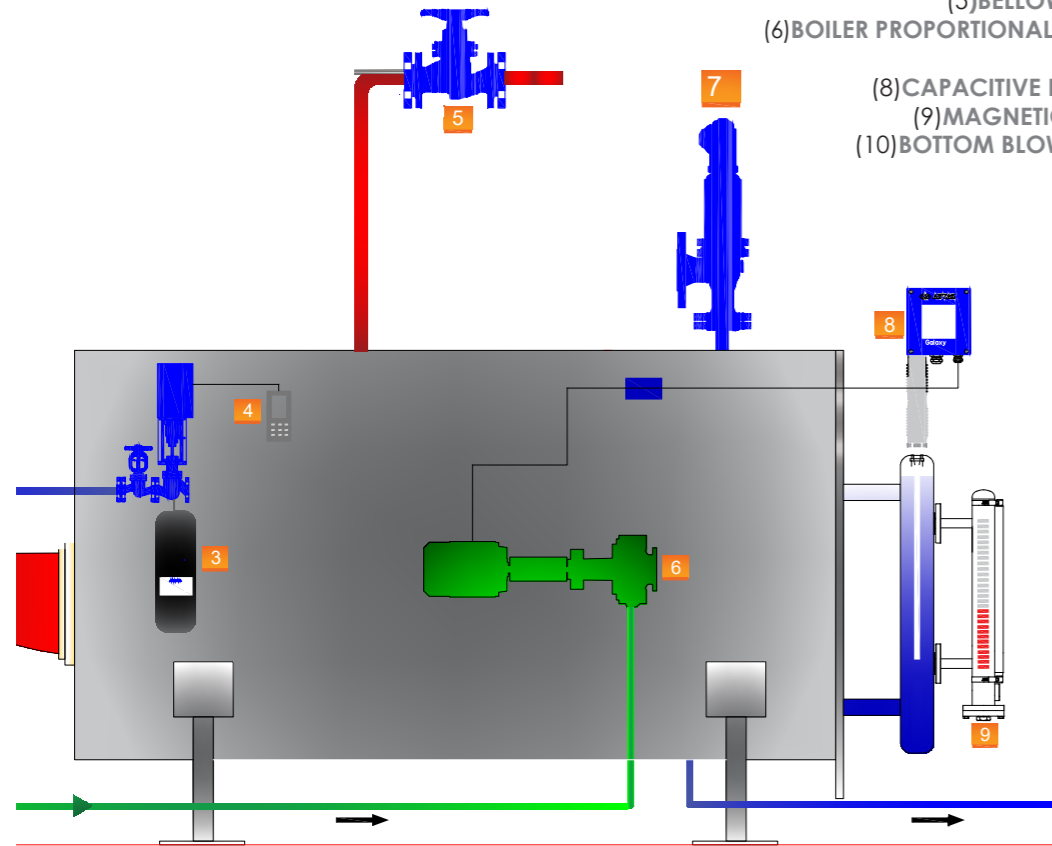
- (1) DEAERATOR ▶ ASD
- (2) MAGNETIC LEVEL GAUGE ▶ MG-33S



## BOILER ROOM

### BOILER

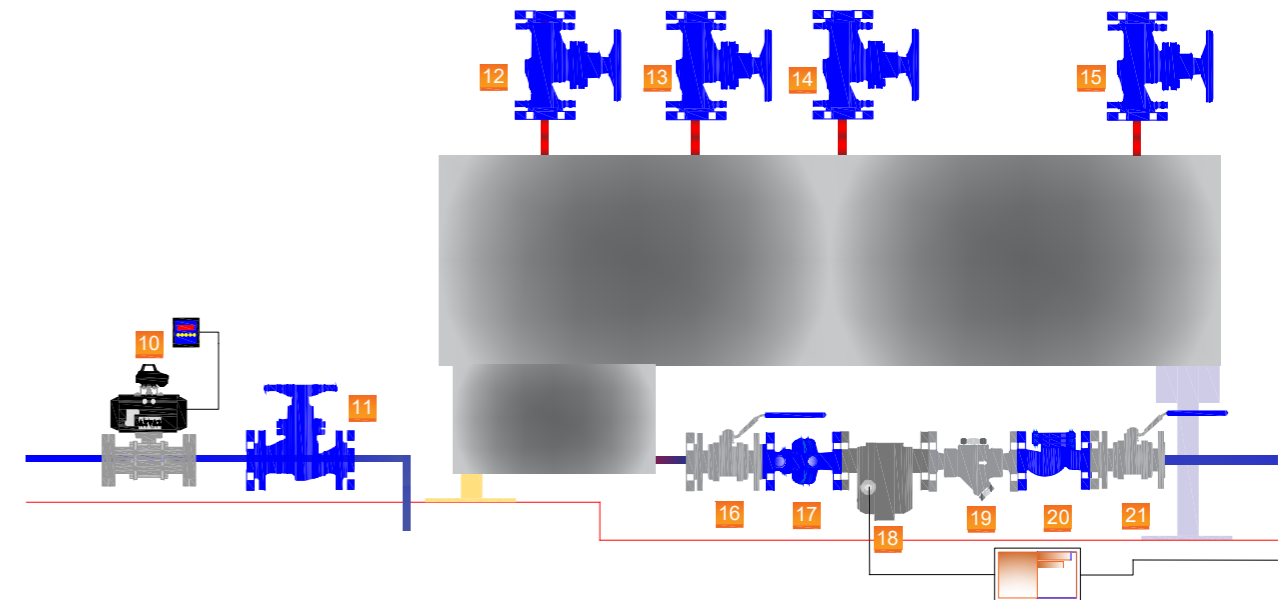
- (3) BOILER WATER SAMPLING GASKETINER ▶ NK-16
- (4) SURFACE BLOWDOWN SYSTEM ▶ YBS-10
- (5) BELLOW SEALED VALVE ▶ MK-16
- (6) BOILER PROPORTIONAL LEVEL CONTROL SYSTEM
- (7) SAFETY VALVE ▶ L9-BP
- (8) CAPACITIVE LEVEL ELECTRODE ▶ KP-01
- (9) MAGNETIC LEVEL GAUGE ▶ MG-33
- (10) BOTTOM BLOWDOWN VALVE ▶ DBV-10



## BOILER ROOM

### COLLECTOR (HEADER)

- (12-13-14-15) BELLOW SEALED VALVE ▶ MK-16
- (16-21) STAINLESS STEEL BALL VALVE ▶ V3-F
- (17) STRAINERS ▶ PTY-40
- (18) STEAM TRAP CONTROLLING UNIT ▶ TKON
- (19) THERMODYNAMIC STEAM TRAP ▶ TDK-45
- (20) CHECK VALVE ▶ CLV-50







# INDUSTRIAL SOLUTIONS

## PLATE HEAT EXCHANGERS



### HEAD OFFICE - FACTORY

Atatürk Sanayi Bölgesi Hadımköy Mahallesi Mustafa İnan Caddesi No: 44 Arnavutköy - İSTANBUL  
Tel: +90 212 771 01 45 (pbx) | Fax: +90 212 771 47 27  
info@ayvaz.com | www.ayvaz.com

#### **Cona Caserta/Italy**

Tel: +39 0823 187 3988  
rmolaro@ayvaz.com

#### **Ayvaz Germany Viernheim/Germany**

Tel: +49 62046014399  
germany@ayvaz.com

#### **Ayvaz Ukraine Kiev/Ukraine**

Tel: +380 44 390 57 57  
info@ayvaz.com.ua

#### **Tricorr Warsaw/Poland**

Tel: +48-32-783-295-1  
tricorr@tricorr.eu

#### **Ayvaz Azerbaijan Baku/Azerbaijan**

Tel: +99 (455) 579-84-32  
ahayatov@ayvaz.com

#### **Ayvaz Egypt Cairo/Egypt**

Tel: +20 122 819 78 29  
andrew.eid@ayvaz.com

#### **Ayvaz Gulf Dubai/U.A.E**

Tel: +971 563550822  
+971 501306871  
mideast@ayvaz.com

#### **Ayvaz China Ningbo/China**

Tel: +86 152 5830 7361  
msahin@ayvaz.com

#### **Ayvaz Kazakhstan LLP Almaty/Kazakhstan**

Tel: +7 (727) 327 97 57  
info\_kz@ayvaz.com

#### **Ayvaz N Ispirih/Bulgaria**

Tel: +359 8431 27 32  
office@ayvaz-n.eu

#### **Ayvaz Serbia Belgrade/Serbia**

Tel: +381 61 658 70 52  
yakbiyik@ayvaz.com

#### **Ayvaz Vietnam HCMC/Vietnam**

ggursoy@ayvaz.com  
Tel: +84 89 8508345

#### **Ayvaz Americas Rhode Island/USA**

Tel: +1 401 737 8380  
americas@ayvaz.com