

KTS-50 FLOAT VALVE

GENERAL FEATURES

Ayvaz KTS-50 is suitable for all kind of fluids to control the liquid level by the float. On request float size can be changed and for aggressive media float can be coated by teflon.

Material Parts: SS AISI 304

Connection: Threaded (3/4")

Max. Working Pressure:

Standard Float: 6 bar

Larger Float: 8 bar

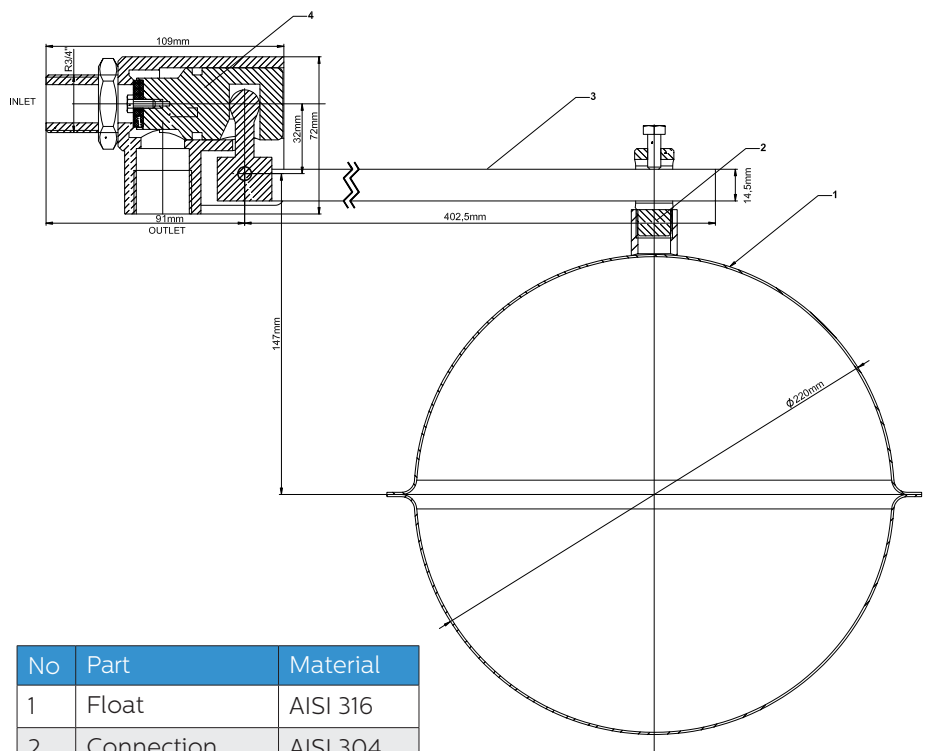
Max. Working Temperature: 90 °C

Applications: Water and Neutral

Float: AISI 316 Stainless Steel

Float Dimension: 220 mm
(Opt. 150 mm)

Installation: Vertical or Horizontal



No	Part	Material
1	Float	AISI 316
2	Connection	AISI 304
3	Rod	AISI 304
4	Body	AISI 304