

FIRE HOSE VALVES

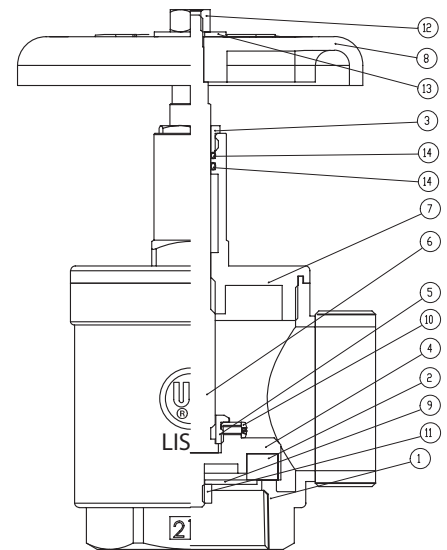
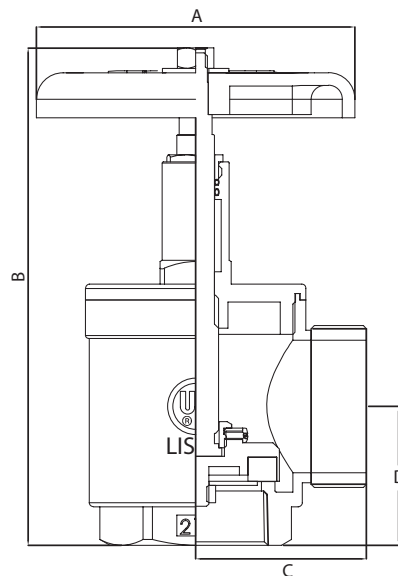
Angle Hose Valve / Model AHV – 100 & 200



- Sizes available (Nominal)** : DN40/1 1/2", DN65/2 1/2"
- Working pressure** : 20.6 bar (300 psi)
- Finish** : Polished Brass and Polished Chrome
- Connections** : Female threaded NPT inlet and male threaded NST outlet
- Specifications** : Used with fire hoserack assembly or fire department outlet connection

Materials List

NO	DESCRIPTION	MATERIALS
1	BODY	ASTM B584 C85700
2	SEAT SEAL	NBR
3	GLAND	ASTM B16 C36000
4	HOLDER	ASTM B584 C85700
5	SET SCREW	ASTM B16 C36000
6	BONNET	ASTM B584 C85700
7	STEM	ASTM B16 C36000
8	HAND WHEEL	DUCTILE IRON
9	CLAMPING RING	AISI304 SS
10	SCREW	ASTM B16 C36000
11	CLAMPING NUT	AISI304 SS
12	WHEEL NUT	AISI304 SS
13	WHEEL WASHER	AISI304 SS
14	O-RING	NBR



Dimensions

Model	Size	Connection		Dimension (mm)				Weight (kg)
		Female	Male	A	B	C	D	
AHV-200	2 1/2"	NPT	NST	152	238	82	67	4,7
AHV-100	1 1/2"	NPT	NST	130	175	58	48	4,3