

SPRINKLER

Pendent / Standart Response – Quick Response



Description

AZ005 / AZ006 Standard / Quick Response Pendent sprinklers are designed for use in light and ordinary hazards. The temperature response is standard response (5 mm glass bulb) and quick response (3mm glass bulb). The sprinklers come with compact design, glass bulb type, available in several different finishes and temperature ratings. The pendent sprinklers must be installed in pendent position. Pendent Recessed Sprinklers are installed with adjustable or non-adjustable Escutcheon plates (also termed as Rosette plates). These are intended to be installed with finished ceilings. Escutcheon plate adjustment provides convenience in Pendent Sprinkler installation in case of areas with finished ceilings or walls.

Sprinkler Operation

During a fire conditions, the thermal-sensitive liquid in the glass bulb expands, causing the bulb to shatter, releasing the button and spring seal assembly. Water flowing through the sprinkler orifice strikes the sprinkler deflector, forming a uniform spray pattern to extinguish or control the fire.

Care and Handling

Sprinklers must be handled with due care, they must be stored at ambient temprature for best results. Storage as well as any onward shipment is to be made in original packing only. Sprinklers must be visually inspected carefully before installation. Sprinklers visibly damaged, dropped or exposed to temperature in excess of the maximum ambient temperature permitted, should never be installed. Never install any glass blub sprinkler if the bulb is cracked or if there is a loss of liquid from the bulb. Sprinkler must be installed after the piping is in place to prevent mechanical damage. Use Teflon Tape or soft thread sealent on male thread of the Sprinkler for the leak tight Sprinkler joint. Use proper wrench and appropriate torque. Excessive tightening torque may distort the Sprinkler inlet and cause leakage. Sprinkler must never be painted, plated or coated after they leave factory.

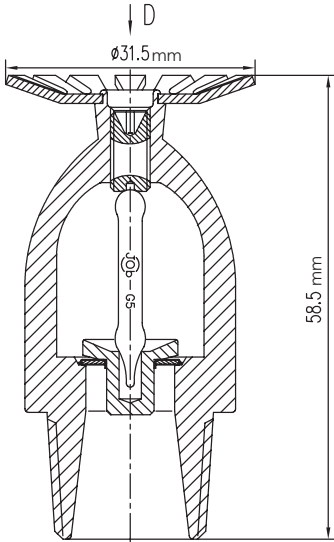
The AYVAZ Sprinkler described herein must be installed and maintained in accordance with the latest edition of AYVAZ technical data, the latest standard of National Fire protection Association (NFPA) and UL Listings standard of any other authorities having jurisdiction. The owner is solely responsible for maintaining their fire protection system and device in proper operating condition.

Inspection Testing and Maintenance

Refer to NFPA 25 for inspection testing and maintenance requirement or to the authority having jurisdiction. For details of warranty, refer AYVAZ's current price list, conditions of sale or contact AYVAZ directly.

SPRINKLER

Dimensions



PENDENT		
SPRINKLER IDENTIFICATION NUMBER (SIN)	AZ005	AZ006
COVERAGE	Standart Coverage	
RESPONSE TIME INDEX (RTI)	Standart Response (5mm Glass Bulb)	Quick Response (3mm Glass Bulb)
SIZE	1/2" npt	
K FACTOR	5.6 (80)	
FINISH	Brass, Chrome, White Polyster	
OPERATING TEMPERATURES	57°C (135°F), 68°C (155°F), 79°C (175°F), 93°C (200°F)	
LISTINGS	UL Listed	
MIN. WORKING PRESSURE	7 PSI (0,5bar)	
MAX. WORKING PRESSURE	175PSI (12bar)	
FACTORY HYDROSTATIC TEST PRESSURE	500 PSI (35 Bar)	

MATERIAL SPECIFICATION	
Frame	Bronze Forging UNS-C87400 or Casting DZR
Deflector	Brass UNS-28000
Glass Bulb	Glass with Glycerin Solution, JOB® G5 or Day-Impex-937 for AZ003/ AZ005
	JOB® F3 Or Day-Impex-941 for AZ004/ AZ006
Set Screw	Brass UNS-28000
Button	Brass UNS-28000
Spring	Stainless Steel
Seal	Teflon® Tape
Standard Escutcheon (Model A-1)	Cold Rolled Steel