



PRESSURE RELIEF VALVES

Threaded Pressure Relief Valve / Model 55L-60



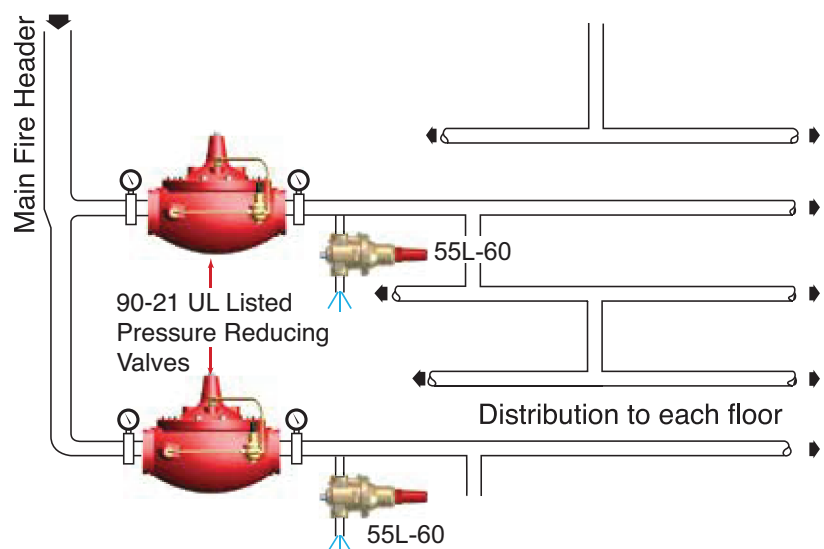
Features

- Direct Acting - Precise Pressure Control
- Positive Dependable Opening
- Drip Tight Closure
- No Packing Glands or Stuffing Boxes
- Sensitive to Small Pressure Variations

The Model 55L-60 (UL Listed FM approved) Pressure Relief Valve is a direct-acting, spring loaded, diaphragm type relief valve. The valve may be installed in any position and will open and close within very close pressure limits. The Model 55L-60 is normally held closed by the force of the compression spring above the diaphragm. When the controlling pressure applied under the diaphragm exceeds the spring setting, the disc is lifted off its seat, permitting flow through the control. When control pressure drops below the spring setting, the spring forces the control back to its normally closed position. The controlling pressure is applied to the chamber beneath the diaphragm through an external tube on the 55L-60. Pressure adjustment is simply a matter of turning the adjusting screw to vary the spring load on the diaphragm. The 55L-60 is available in three pressure ranges; 0 to 75 psi, 20 to 175 psi, 100 to 300 psi. To prevent tampering, the adjustment cap can be wire sealed by using the lock wire holes provided in the cap and cover.

Typical Application

Fire Protection System Service
Using the Model 55L-60 in a fire protection system or other closed type system, prevents pressure build-up whenever line pressure exceeds the setting of the spring. The valve will relieve excess pressure to atmosphere preventing damage to the distribution network.



PRESSURE RELIEF VALVES

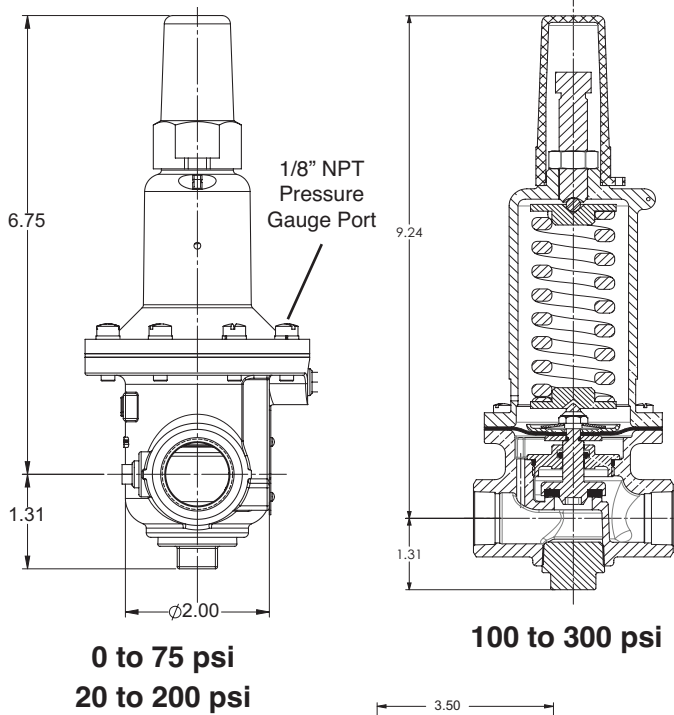
Specifications

Size : 1/2", 3/4" and 1" Threaded
 Temperature Range : Water to 82°C (180°F) Max.

Materials

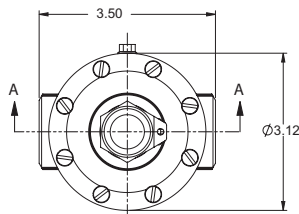
Body & Cover : Cast Bronze ASTM B62 — Stainless Steel ASTM A743-CF-16Fa
 Trim : Brass & Stainless Steel 303
 Rubber : Buna-N® Synthetic Rubber
 Pressure Ratings : Cast Bronze 400 psi Max.
 Adjustment Ranges : 0 to 75 psi — 20 to 200 psi — 100 to 300 psi

Dimensions (1/2" and 3/4")

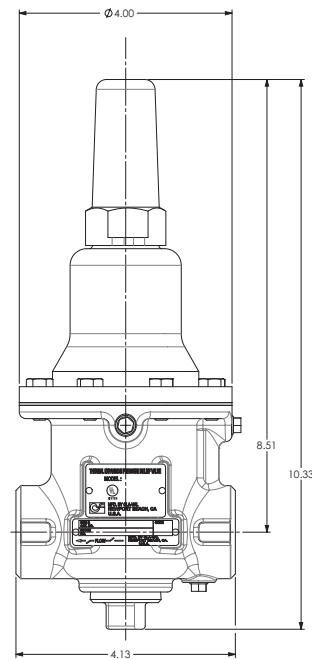


(applies to both configurations)

dimensions shown in inches



Dimensions (1")



Spring Range:
 20-75
 40-200
 100-300