

AELB-11/AELB-12

LEVEL SWITCH

GENERAL FEATURES

AELB level switches are used for tank level measurement and control.

The high temperature resistance, the long life contact structure that can work in every direction, the stainless steel of the wet parts, vertical or horizontal connection advantages are preferred.

Working Principle:

The microswitch changes direction with the movement of the magnet in the float arm moving by changing the liquid level magnetically effecting the magnet inside the body. The information can be transfer to the pump, solenoid valve applications.

Application Areas:

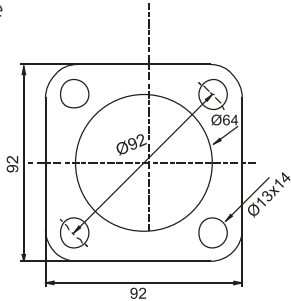
Food, ships, machinery, boilers, and storage tanks.

MODEL	AELB 11 (Standard)	AELB 12 (Long Lever)
Installation	Horizontal	Horizontal
Wet Parts	Stainless Steel	Stainless Steel
Flange Material	1.4408 Stainless Steel	1.4408 Stainless Steel
Float Material	1.4571 Stainless Steel	1.4571 Stainless Steel
Min. Density	0.7 gr / cm ³ Standard	0.7 gr / cm ³ Standard
Cover Material	Aluminum Injection, Painted	Aluminum Injection, Painted
Flange Dimensions	92 x 92 mm	92 x 92 mm
Max. Pressure/Temp.	25 bar / 250 °C	25 bar / 250 °C
Ambient Temperature	-20 / +80 °C	-20 / +80 °C
Cover Class	IP 65	IP 65
Weight	1.8 kg....2.5 kg	1.8 kg....2.5 kg
Float Test Pressure	40 bar	40 bar

AELB-11/AELB-12 LEVEL SWITCH

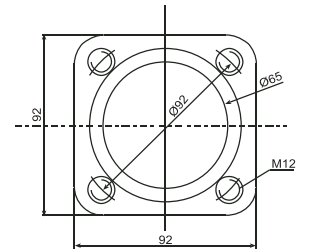
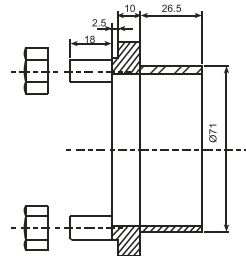
Flange

Material: Stainless Steel 1.4408
 Dimensions: 92 x 92 mm Square Type
 Holes Diameters: Ø13 mm 4 Holes
 Opts: From DN150 to PN100 special flange



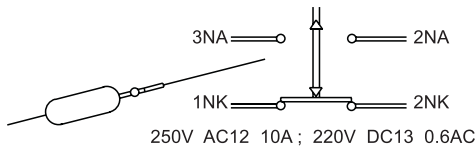
Cross Flange

Material: Stainless Steel 1.4408
 Bolt: M12 x 1.5 mm 4 piece



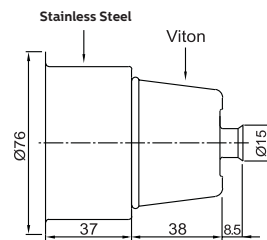
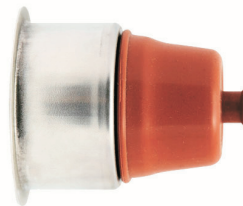
Contact

Contact: 1 Microswitch
 (1 open & 1 close contact)
 Contact Capacity: 250 VAC 12, 10A 220
 VDC 13 0.6A (IEC 947 - 5 - 1)
 125/250 VAC 15A ,110VAC 15A
 (for EL B10)
 Electrical Connection: 1/2" BSP



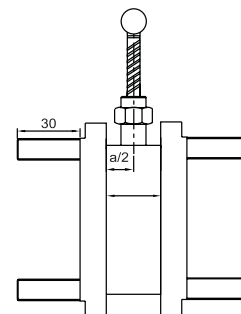
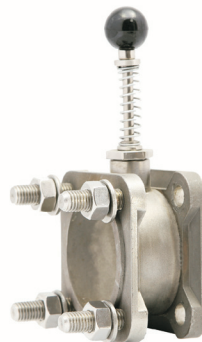
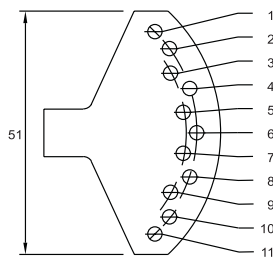
Bellow Part

Metal Part: Stainless Steel 1.4571
 Elastic Part: Viton is used to provide the level switch function in tanks containing particulate at 200 ° C.



Set Part

Material: Stainless Steel 1.4571
 11 Holes

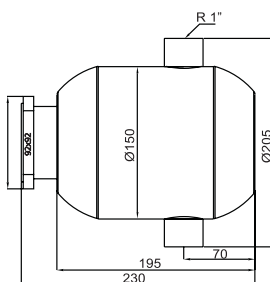


External Tank

Material: SS 1.4571
 Weight: 2.6 kg

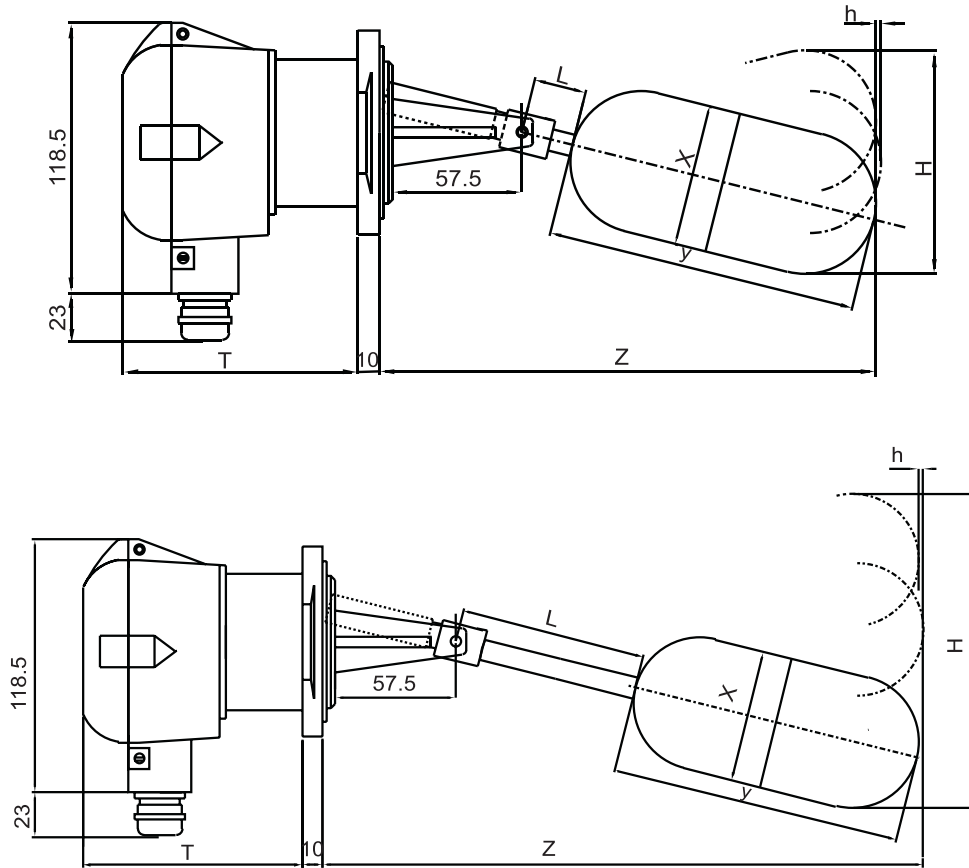
Connection: 92x92 mm. Square can be use as a feeding equipment.

Process Connection: R 1"



AELB-11/AELB-12 LEVEL SWITCH

TECHNICAL SPECIFICATION

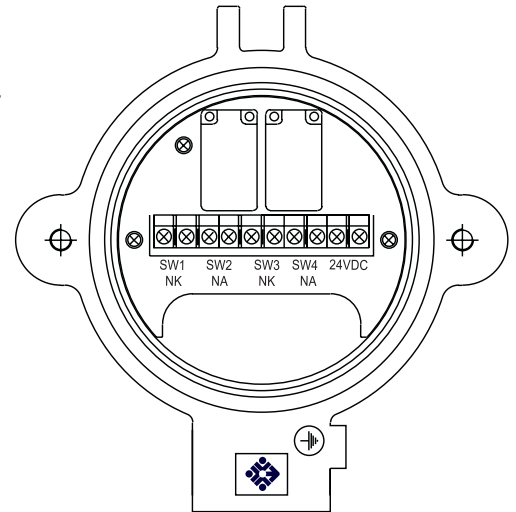


MODEL	AELB 11 (mm)		AELB 12 (mm)	
Z	225	500	750	1000
T	87	110	110	110
L	21	296	546	796
Y	120	140	140	140
X	47	64	64	64
H	127	260	380	501
h	4	12	19.5	27
Min. Density	0.7 gr/cm ³	0.7 gr/cm ³	0.8 gr/cm ³	0.9 gr/cm ³

AELB-11/AELB-12 LEVEL SWITCH

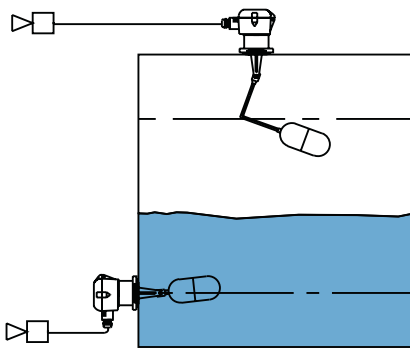
Multi Contact Part

Four independent contacts can be received with an electronic card located inside the AELB level switch body. The contacts can be ordered as Normally Open (NA) or Normally Closed (NK).

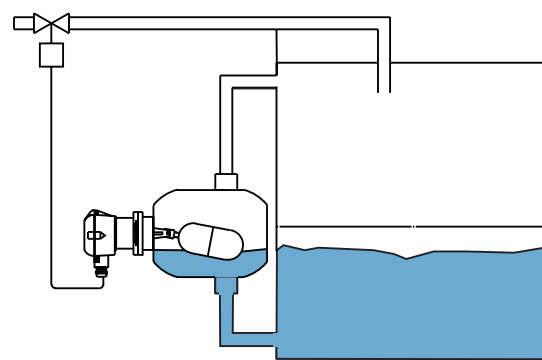


APPLICATION SAMPLE

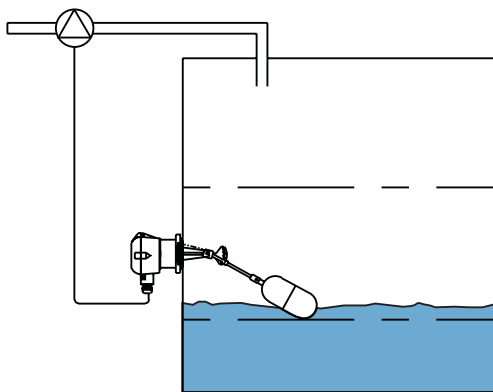
Min or Max Control



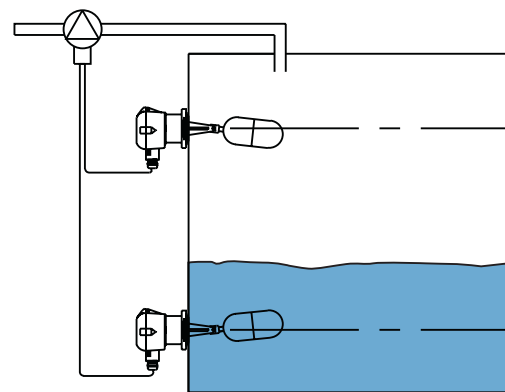
External Tank



Valve and Pump Control



Pump Control



HEAD OFFICE - FACTORY

Atatürk Sanayi Bölgesi Hadımköy Mahallesi Mustafa İnan Caddesi No: 44 Arnavutköy - İSTANBUL
Tel: +90 212 771 01 45 (pbx) | Fax: +90 212 771 47 27
info@ayvaz.com | www.ayvaz.com

Cona
Caserta/Italy
Tel: +39 0823 187 3988
rmlaro@ayvaz.com

Ayvaz Germany
Viernheim/Germany
Tel: +49 62046014399
germany@ayvaz.com

Ayvaz Ukraine
Kiev/Ukraine
Tel: +380 44 390 57 57
info@ayvaz.com.ua

Tricorr
Warsaw/Poland
Tel: +48 530 030 810
+48 533 603 335
tricorr@tricorr.eu

Ayvaz Azerbaijan
Baku/Azerbaijan
Tel: +99 (455) 579-84-32
ahayatov@ayvaz.com

Ayvaz Egypt
Cairo/Egypt
Tel: +20 122 819 78 29
andrew.eid@ayvaz.com

Ayvaz Gulf
Dubai/U.A.E
Tel: +971 563550822
+971 501306871
mideast@ayvaz.com

Ayvaz China
Ningbo/China
Tel: +86 152 5830 7361
msahin@ayvaz.com

Ayvaz Kazakhstan LLP
Almaty/Kazakhstan
Tel: +7 (727) 327 97 57
info_kz@ayvaz.com

Ayvaz N
Ispirli/Bulgaria
Tel: +359 8431 27 32
office@ayvaz-n.eu

Ayvaz Serbia
Belgrade/Serbia
Tel: +381 61 658 70 52
yakbiyik@ayvaz.com

Ayvaz Vietnam
HCMC/Vietnam
Tel: +84 89 8508345
ggursoy@ayvaz.com

Ayvaz Americas
Rhode Island/USA
Tel: +1 401 737 8380
americas@ayvaz.com