

AU-20 YK



AU-20 DD



AU-20 DK



AU-20 YD



LEVEL SWITCH WITH ROD

GENERAL FEATURES

Ayvaz AU-20 Level Controller is designed to control the liquid level in all pressurized or non-pressurized containers. As an element of intuition, a stainless steel float and reed switch with magnetic operation feature are placed in a stainless steel tube.

Depending on the change in fluid level, the magnetic float that moves linearly along the tube stimulates the reed switch. The signal obtained by the reed switch being turned on or off is transmitted to the control panel and evaluated by the relay circuit.

Top mounted AU-20 level control devices can be designed and manufactured to provide low / high level, pump start / stop signals that can be received at tank level automation.

It has a minimum density of 0.6g / cm³ and a temperature of up to 125 °C. The minimum distance between contacts should be 30 mm.

Product Features

Body	: AISI 304 SS (Opt. AISI316)
Float	: AISI 316L
Working Temp.	: -10 / +125 °C
Max. Switch Voltage	: 400 VAC/DC
Max. Working Pressure	: 16 bar
Connection	: BSP or NPT Threaded (min 3/8" Threaded)

rev.0119

Min. Density	: 0.8 kg/m ³
Contact Type	: N.O / N.C
Switch Capacity	: 60VA
Switch Current	: 1.0VA
Installation	: Horizontal or Vertical
Cable Connection	: 2 x 0.25 mm ²
Protection Class	: IP68 + EX-PROOF

Advantages

- Precise level control
- Both open and closed contact
- Long service life
- Sealing
- Continuous control
- Corrosion resistance of fluid contact zones

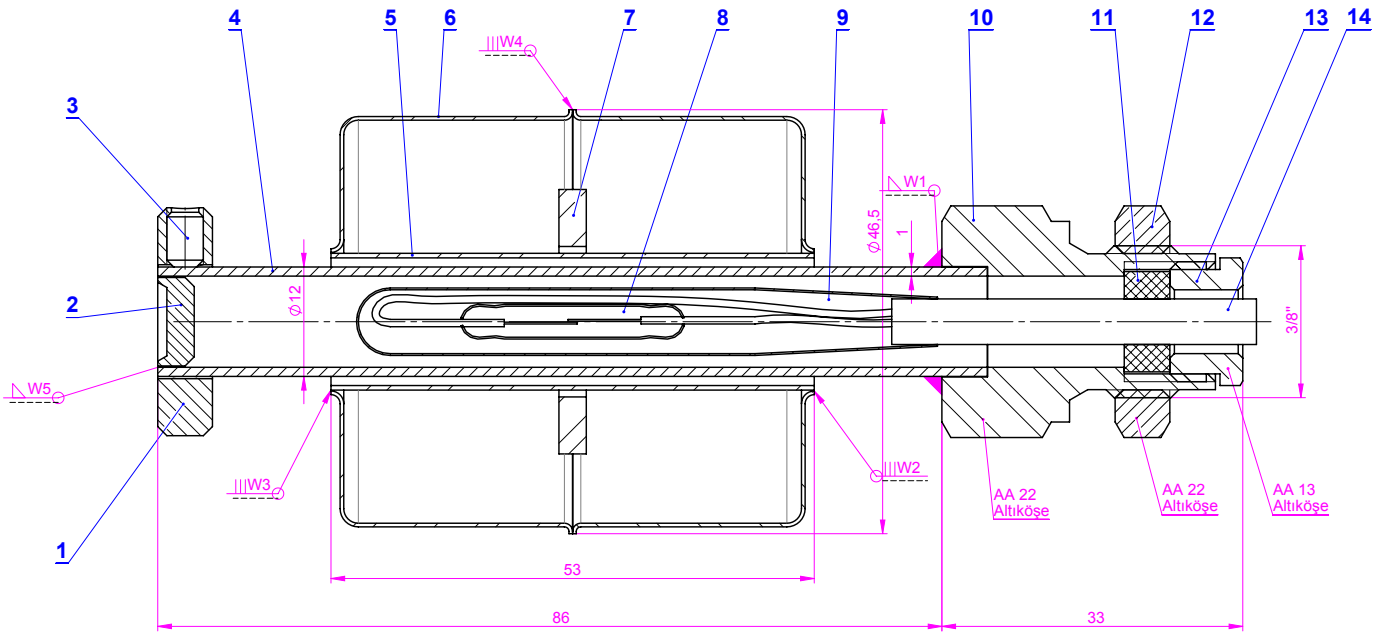
Application Areas

- Shipbuilding Industry
- Waste / Fresh water tanks
- Food Industry
- Fuel Tanks
- Acid Tanks
- Condense Tanks
- Chemical / Petrochemical Tanks
- Automation Systems

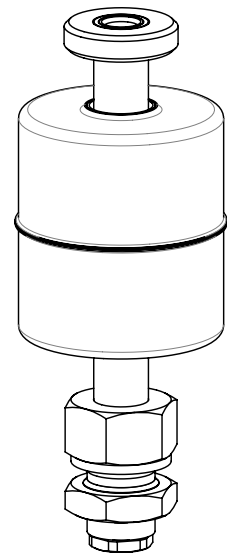


AU-20 LEVEL SWITCH WITH ROD

AU-20 DD 3/8" THREADED CONNECTION



No	Part Name	Material List
1	Clamp	AISI 304
2	Stopper	AISI 304
3	Stay Bolt	
4	Level Pipe	AISI 304
5	Float Pipe	AISI 316L
6	Float Cap	AISI 316L
7	Level Magnet	300 oxit
8	Switch	GC3817
9	Tube	
10	Body Screw	AISI 304
11	Silicon Gasket	
12	Nut	AISI 304
13	Sealing Screw	AISI 304
14	Cable	

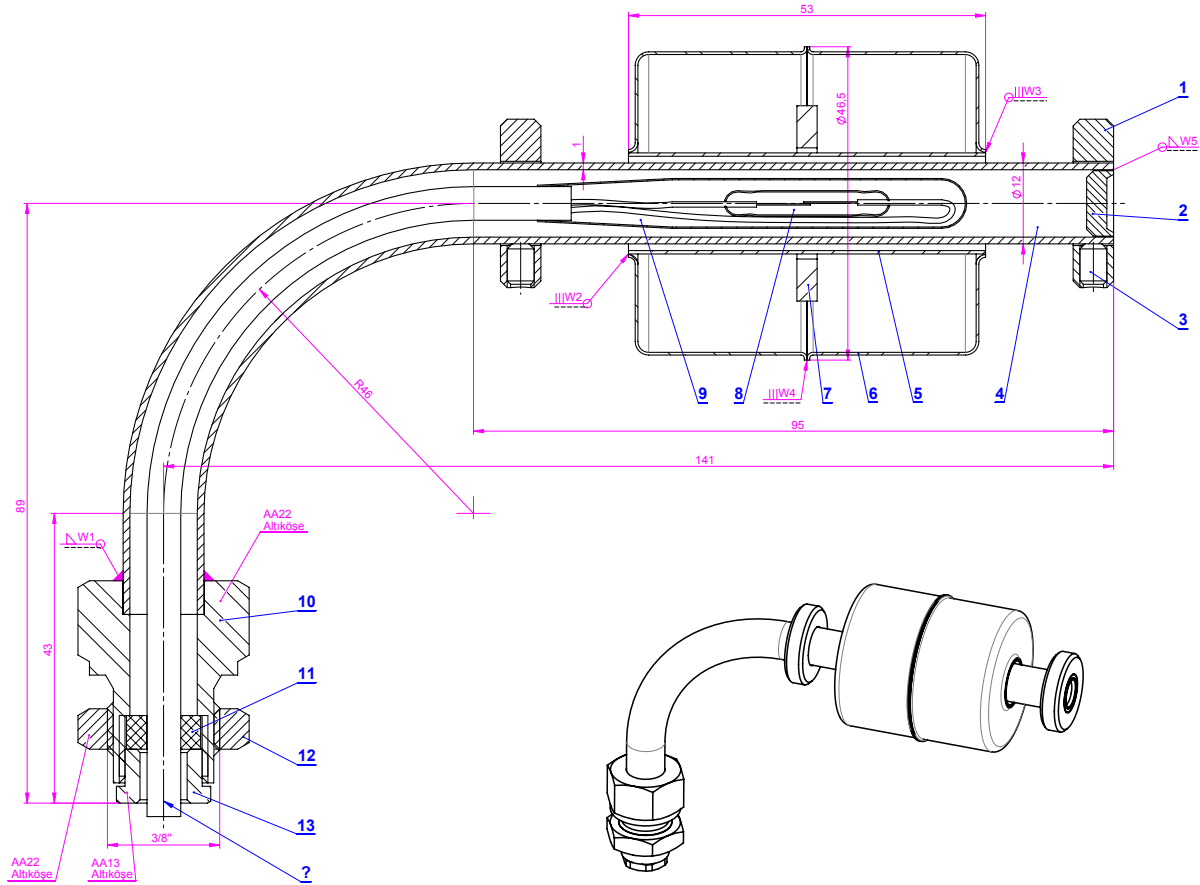


* For different sizes, connection, pressure and applications please consult our sales team.

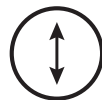


AU-20 LEVEL SWITCH WITH ROD

AU-20 YD 3/8" THREADED CONNECTION



No	Part Name	Material List
1	Clamp	AISI 304
2	Stopper	AISI 304
3	Stay Bolt	
4	Level Pipe	AISI 304
5	Float Pipe	AISI 316L
6	Float Cap	AISI 316L
7	Level Magnet	300 oxi
8	Switch	GC3817
9	Tube	
10	Body Screw	AISI 304
11	Silicon Gasket	
12	Nut	AISI 304
13	Sealing Screw	AISI 304
14	Cable	

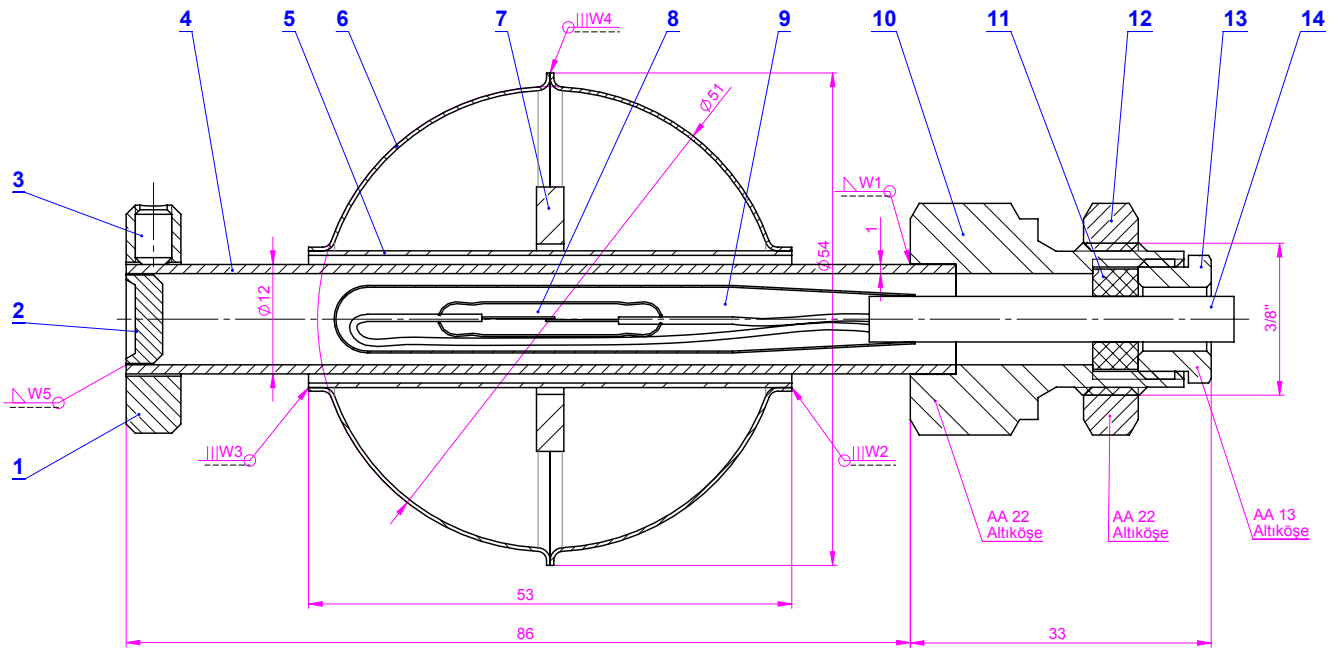


* For different sizes, connection, pressure and applications please consult our sales team.

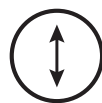
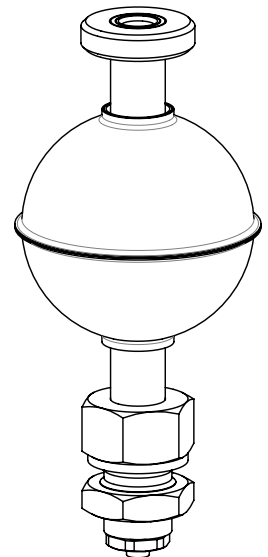


AU-20 LEVEL SWITCH WITH ROD

AU-20 DK 3/8" THREADED CONNECTION



No	Part Name	Material List
1	Clamp	AISI 304
2	Stopper	AISI 304
3	Stay Bolt	
4	Level Pipe	AISI 304
5	Float Pipe	AISI 316L
6	Float Cap	AISI 316L
7	Float Magnet	300 oxit
8	Switch	GC3817
9	Tube	
10	Body Screw	AISI 304
11	Silicon Gasket	
12	Nut	AISI 304
13	Sealing Screw	AISI 304
14	Cable	

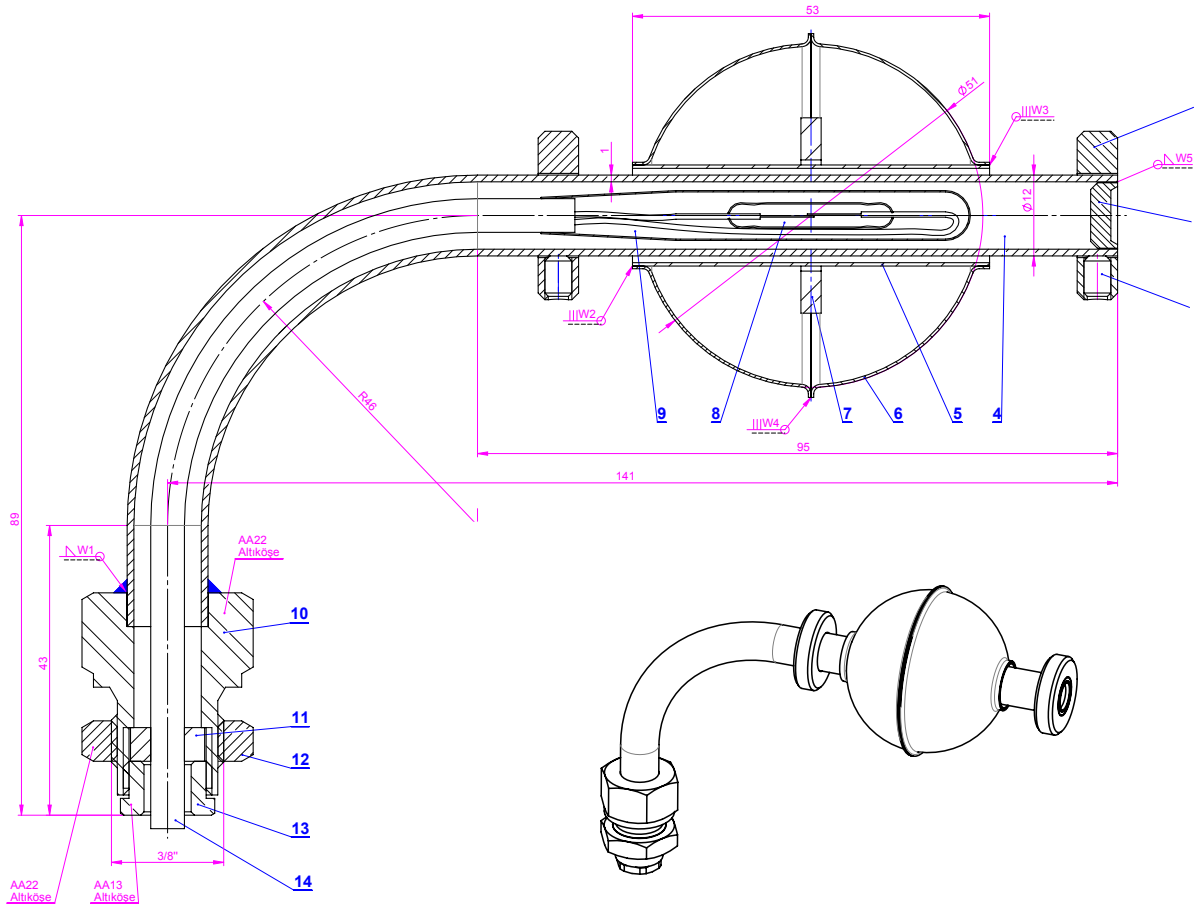


* For different sizes, connection, pressure and applications please consult our sales team.

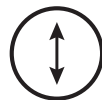


AU-20 LEVEL SWITCH WITH ROD

AU-20 YK 3/8" THREADED CONNECTION



No	Part Name	Material List
1	Clamp	AISI 304
2	Stopper	AISI 304
3	Stay Bolt	
4	Level Pipe	AISI 304
5	Float Pipe	AISI 316L
6	Float Cap	AISI 316L
7	Level Magnet	300 oxi
8	Switch	GC3817
9	Tube	
10	Body Screw	AISI 304
11	Silicon Gasket	
12	Nut	AISI 304
13	Sealing Screw	AISI 304
14	Cable	



* For different sizes, connection, pressure and applications please consult our sales team.



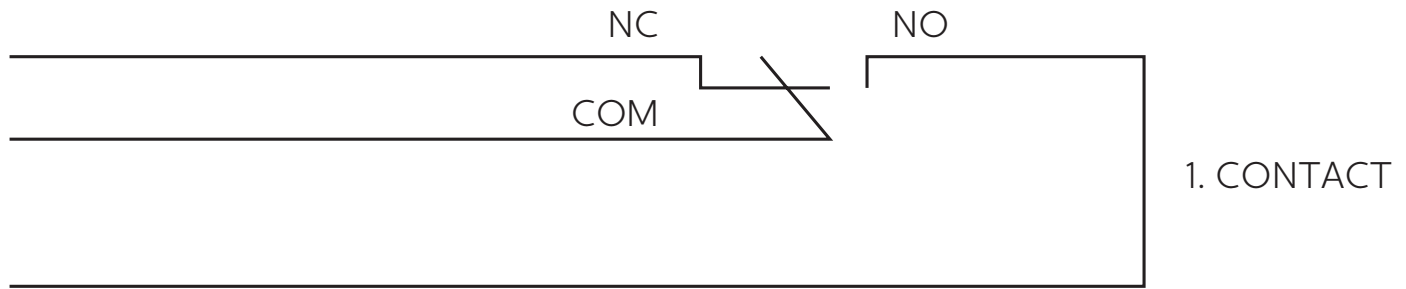
AU-20 LEVEL SWITCH WITH ROD

You are required to inform sales team during the order

1. Length of the probe (L)
2. Number of desired contacts and locations
3. Fluid type (Oil, fuel, water)
4. Fluid temperature

DIMENSIONS	
AU-20 (Threaded) BSP or NPT	Length (mm)
3/8" and above	Valid for measurement between 100 and 3000.

AU-20 ELECTRICAL CONNECTION DIAGRAM



HEAD OFFICE - FACTORY

Atatürk Sanayi Bölgesi Hadımköy Mahallesi Mustafa İnan Caddesi No: 44 Arnavutköy - İSTANBUL
 Tel: +90 212 771 01 45 (pbx) | Fax: +90 212 771 47 27
 info@ayvaz.com | www.ayvaz.com

Cona Caserta/Italy
 Tel: +39 0823 187 3988
 rmolaro@ayvaz.com

Ayvaz Germany Viernheim/Germany
 Tel: +49 62046014399
 germany@ayvaz.com

Ayvaz Ukraine Kiev/Ukraine
 Tel: +380 44 390 57 57
 info@ayvaz.com.ua

Tricorr Warsaw/Poland
 Tel: +48 530 030 810
 +48 533 603 335
 tricorr@tricorr.eu

Ayvaz Azerbaijan Baku/Azerbaijan
 Tel: +99 (455) 579-84-32
 ahayatov@ayvaz.com

Ayvaz Egypt Cairo/Egypt
 Tel: +20 122 819 78 29
 andrew.eid@ayvaz.com

Ayvaz Gulf Dubai/U.A.E
 Tel: +971 563550822
 +971 501306871
 mideast@ayvaz.com

Ayvaz China Ningbo/China
 Tel: +86 152 5830 7361
 msahin@ayvaz.com

Ayvaz Kazakhstan LLP Almaty/Kazakhstan
 Tel: +7 (727) 327 97 57
 info_kz@ayvaz.com

Ayvaz N Ispirih/Bulgaria
 Tel: +359 8431 27 32
 office@ayvaz-n.eu

Ayvaz Serbia Belgrade/Serbia
 Tel: +381 61 658 70 52
 yakbiyik@ayvaz.com

Ayvaz Vietnam HCMC/Vietnam
 Tel: +84 89 8508345

Ayvaz Americas Rhode Island/USA
 Tel: +1 401 737 8380
 americas@ayvaz.com