



BT-01

HYDROSTATIC PRESSURE TRANSMITTER

GENERAL FEATURES

The main element of the pressure transmitter is the sensor that is located between the diaphragm and the main body. The diaphragm is assembled to the main body which measures pressure differences in the tank. When the fluid level changes, the pressure of the fluid applies force to the diaphragm's surface, applied force is exerted to the sensor. Expansion and compression of the diaphragm's surface cause changes in the resistance of electrical circuit. The changes of the resistance is transmitted into signals which can be displayed as fluid level, pressure and vacuum on the control panel. It should be noted that hydrostatic pressure transmitters are for non-pressurized tanks. If the tank is pressurized, the transmitter should be modified with differential cells.

Installation:

Hydrostatic pressure transmitters should be mounted vertically or horizontally to the lowest point of the tank. It can be mounted with flanges or screws to the tank or pipe wall.

Advantages:

- Resistant to dust, foam, vapour, buildup, contaminants
- Promising results by conditions such as conductivity, dielectric coefficient and viscosity
- Free from the shape of geometry and current in-build devices
- Simple installation without calibration
- Various design for different applications

Application Areas:

- Chemical & Petrochemical Tanks
- Oil & Gas
- Pharmaceutical Applications
- Alimentary
- Marine
- Explosive Mixtures Tanks

PRODUCTS FEATURES

Cover: AISI 316 & Titanium (Opt. Aluminium)

Connection: 1/4"- 1/2" BSP/NPT (Opt. 1/4"-2" G-M)

Diaphragm: AISI 316, Ceramık, Hastelloy C, Titanium

Max. Working Temperature: -40/+85 °C (Ops. Fined Body: -40/+130 °C, Capillary: -40+280 °C)

Max. Working Pressure: 0,1 bar - 1000 bar (Piezoresistive Sensor)

Supply: 12-36 VDC

Output: 4-20 mA Two Wire & HART

Protection Class: IP65/IP67

Filling Liquid: Siliconic, Fluoride, Inert Oil

Accessories: Cooling Syphon, Pulsation dampener,

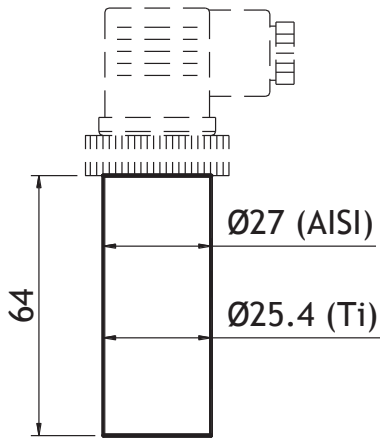
Overpressure protection, Welding nipple, 2 Ways and 1 or 2

Valves Manifold, Bracket, Digital Indicator

BT-01 HYDROSTATIC PRESSURE TRANSMITTER



TECHNICAL SPECIFICATIONS

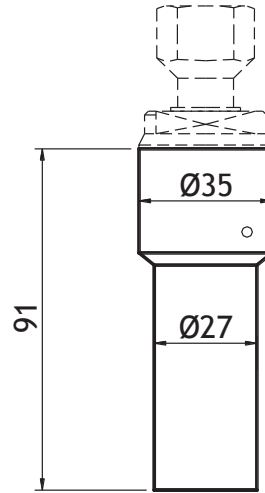


Code A04 - AISI 316

Code T04 - Titanium

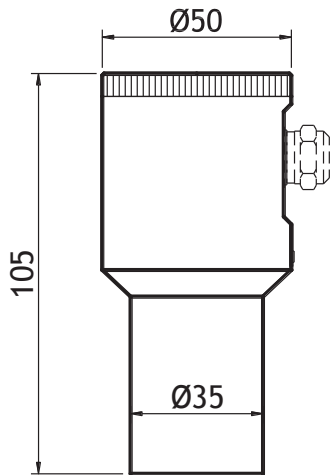
Material: AISI 316 (Ø 27)
Zone: II 1G
Protection Class: IP65

Material: Titanium (Ø 25,4)
Zone: II 2G
Protection Class: IP65



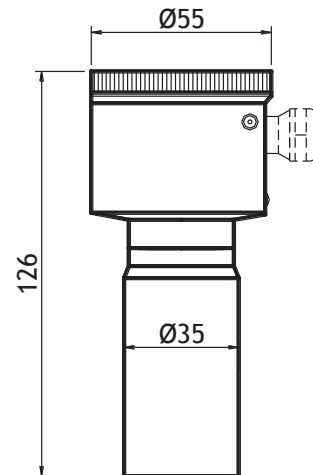
Code A05 - AISI 316

Material: AISI 316 (Ø 35)
Zone: II 1G
Protection Clas: IP67



Code A06 - AISI 316

Material: AISI 316 (Ø 50)
Protection Class: IP65



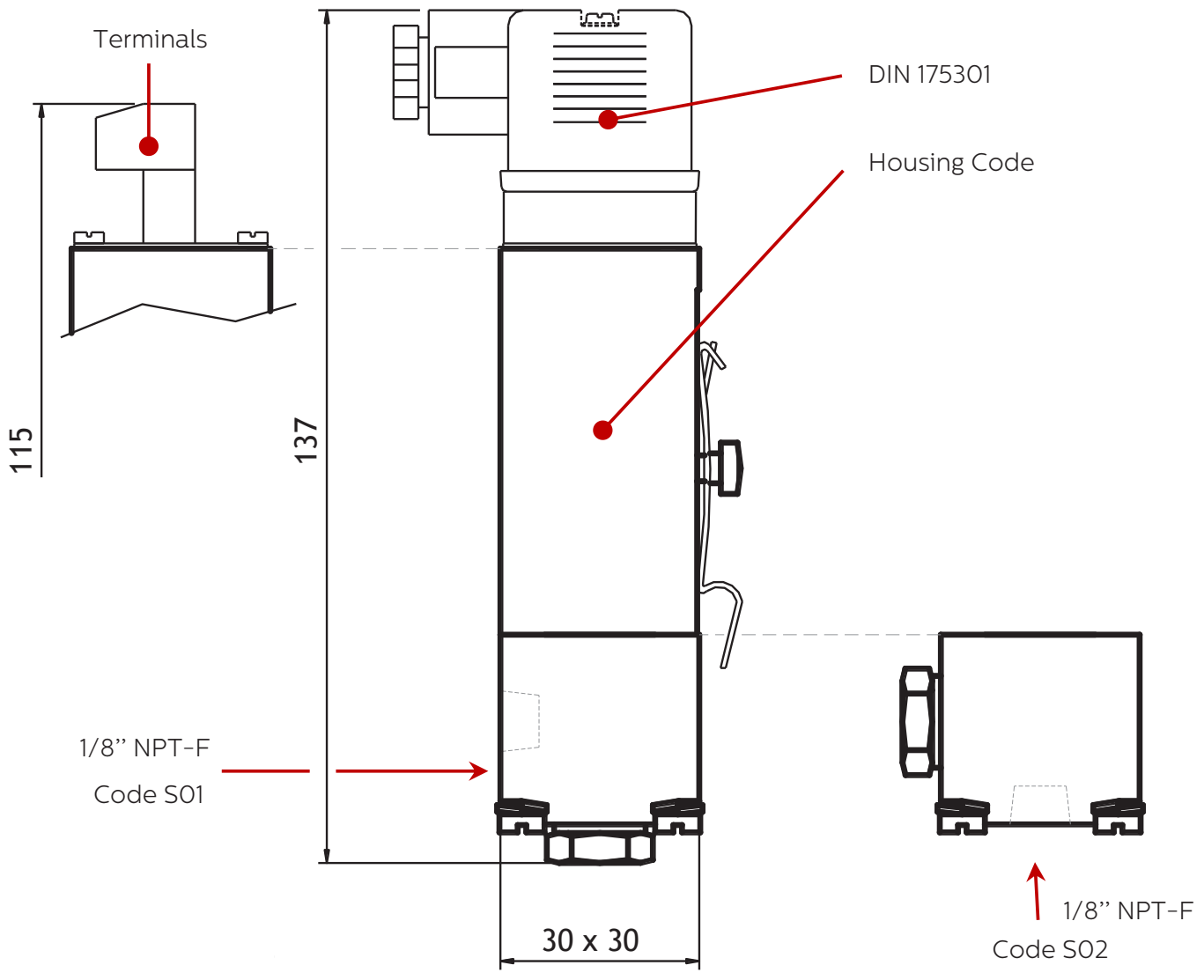
Code A08 - AISI 316

Material: AISI 316 (Ø 55)
Zone: II 1G
Protection Class: IP67

BT-01 HYDROSTATIC PRESSURE TRANSMITTER



HOUSING MATERIAL AND TYPE

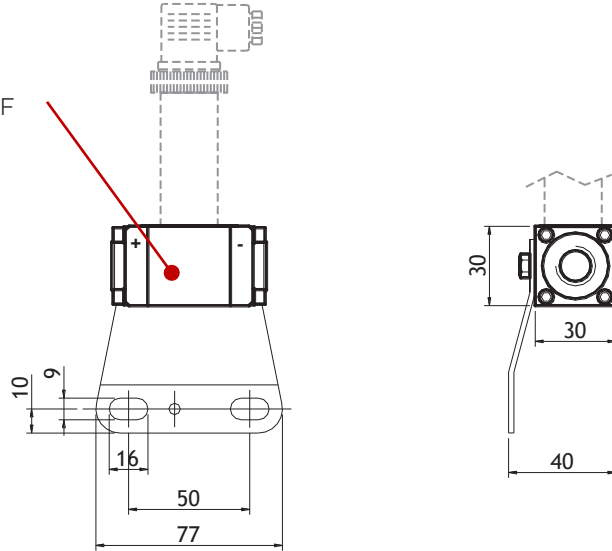


BT-01 HYDROSTATIC PRESSURE TRANSMITTER

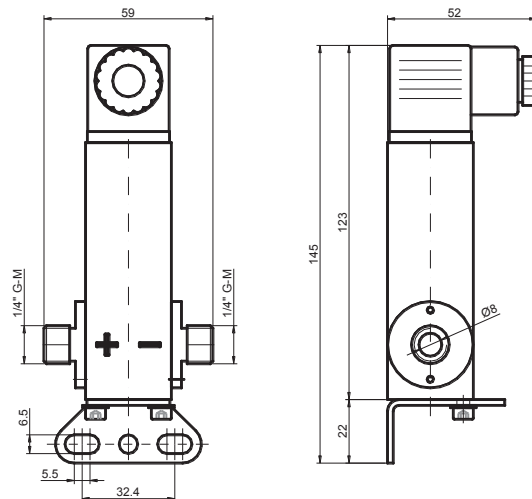
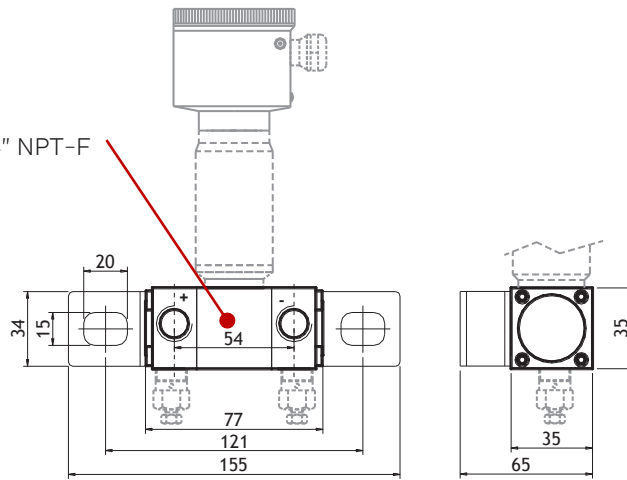


DIFFERENTIAL CELLS

Code S18 – 1/4" NPT-F



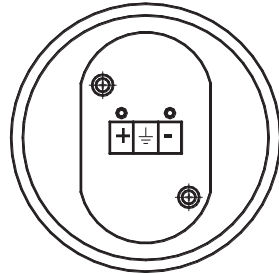
Code S16 – 1/4" NPT-F



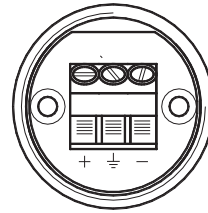
BT-01 HYDROSTATIC PRESSURE TRANSMITTER



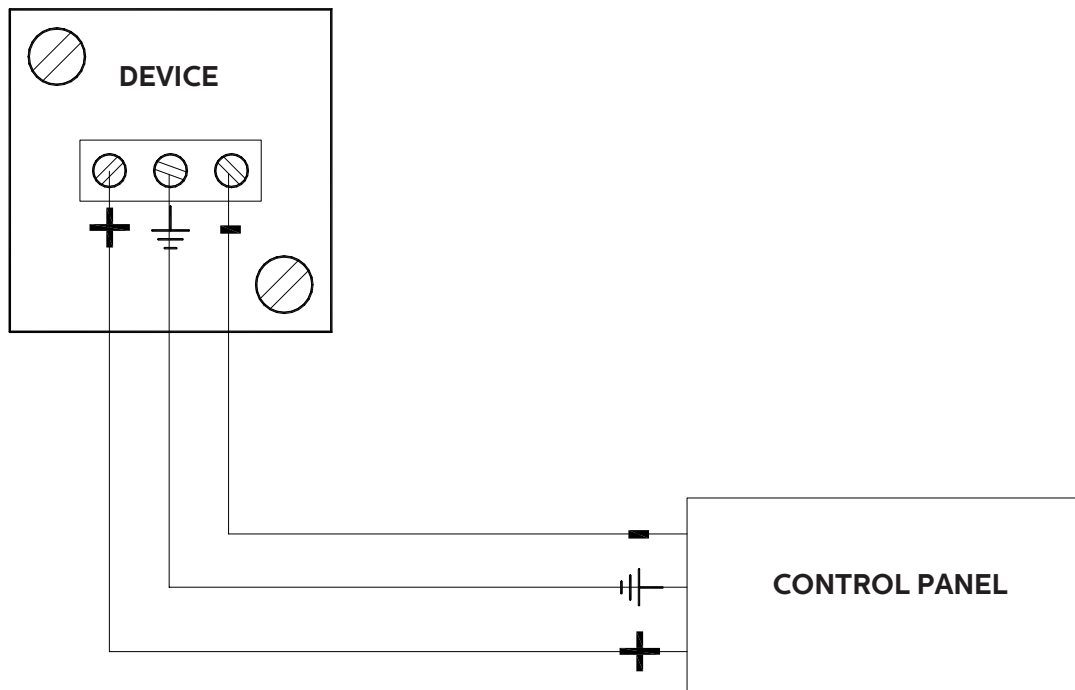
ELECTRICAL CONNECTION SCHEME



Kod 10
Ø50 and Ø55 Housing
IP65/IP67



Kod 10
Ø35 Housing
IP67



HEAD OFFICE - FACTORY

Atatürk Sanayi Bölgesi Hadımköy Mahallesi Mustafa İnan Caddesi No: 44 Arnavutköy - İSTANBUL
Tel: +90 212 771 01 45 (pbx) | Fax: +90 212 771 47 27
info@ayvaz.com | www.ayvaz.com

Cona
Caserta/Italy
Tel: +39 0823 187 3988
rmolaro@ayvaz.com

Ayvaz Germany
Viernheim/Germany
Tel: +49 62046014399
germany@ayvaz.com

Ayvaz Ukraine
Kiev/Ukraine
Tel: +380 44 390 57 57
info@ayvaz.com.ua

Tricorr
Warsaw/Poland
Tel: +48 530 030 810
+48 533 603 335
tricorr@tricorr.eu

Ayvaz Azerbaijan
Baku/Azerbaijan
Tel: +99 (455) 579-84-32
ahayatov@ayvaz.com

Ayvaz Egypt
Cairo/Egypt
Tel: +20 122 819 78 29
andrew.eid@ayvaz.com

Ayvaz Gulf
Dubai/U.A.E
Tel: +971 563550822
+971 501306871
mideast@ayvaz.com

Ayvaz China
Ningbo/China
Tel: +86 152 5830 7361
msahin@ayvaz.com

Ayvaz Kazakhstan LLP
Almaty/Kazakhstan
Tel: +7 (727) 327 97 57
info_kz@ayvaz.com

Ayvaz N
İsperih/Bulgaria
Tel: +359 8431 27 32
office@ayvaz-n.eu

Ayvaz Serbia
Belgrade/Serbia
Tel: +381 61 658 70 52
yakbiyik@ayvaz.com

Ayvaz Vietnam
HCMC/Vietnam
Tel: +84 89 8508345

Ayvaz Americas
Rhode Island/USA
Tel: +1 401 737 8380
americas@ayvaz.com