

# CV-10P

## DISCO CHECK VALVE/BRASS

### GENERAL FEATURES

Check valves are commonly used armatures that can be applied for liquid, gaseous and steam applications. They increase the process safety and can be used instead of complicated armatures. Because of short installation time and installation distance, small dimensions; Ayvaz disco check valve appears to be advantageous.

Check valves provide the flows just one way. When liquid flows through to flowing direction, check valves open and let it pass. But liquid tries to flow opposite direction of flowing, check valves close and prevent passing.

**Product Features:**

Body: MS58 Brass  
Spring, Disc, Segment: Stainless Steel

**Working temperature:**

According to material from  
-10°C to 250°C.

DIAMETERS	
DN (mm)	inch
15-100	1/2" - 4"

**Connections:**

Wafer type

**Applications**

- Iron, steel, mining industry
- Heating, ventilation pipelines
- Mineral and oil industry
- Woodworking and paper industry
- The textile industry
- Water, condensate and steam lines
- Shipbuilding

CONNECTION	
ÇV-10P	
BS 10 tables D, E, F DIN 2501 (pN 6/10/16) ANSI B 16.1 class 125 FF between flanges	

**Nominal Diameter:**

DN15 (1/2") – DN100 (4")

**Working Pressure:**

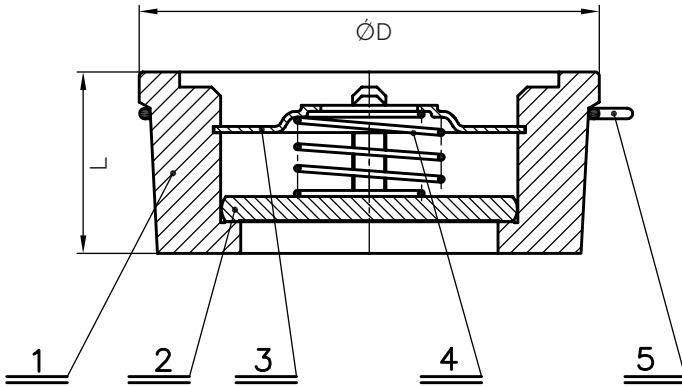
Max 16 bar

WEIGHTS									
Connection Type	Flanged								
Diameter (mm)	15	20	25	32	40	50	65	80	100
Weight (kg)	0,09	0.12	0.19	0.36	0.55	0.95	1.26	2.18	3.26

Can be install every direction.

# CV-10P DISCO CHECK VALVE / BRASS

The curves given in the chart are valid for water at 20°C.  
 To read the pressure drop for other fluids the equivalent water volume flow rate must be calculated and used in the graph.  
 The values indicated in the chart are applicable to spring-loaded valves with horizontal flow.

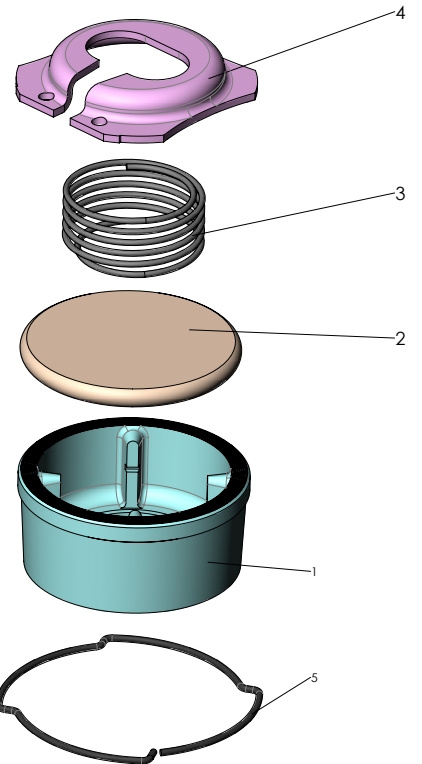
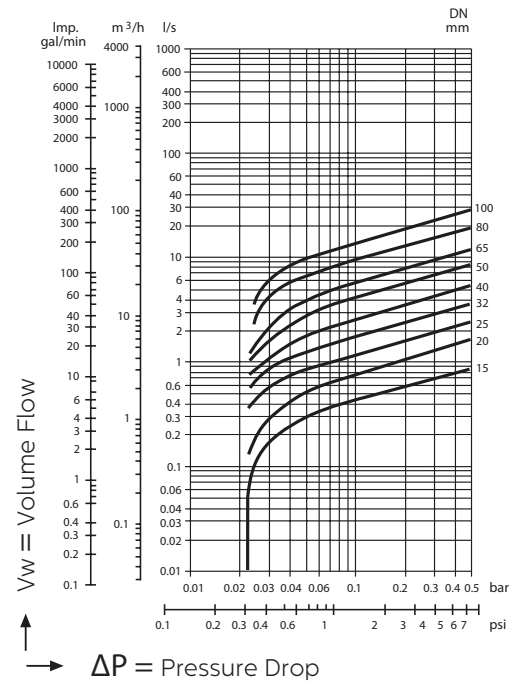


SPARE PARTS		CV 10/P
1	Body	MS58 Brass
2	Disc	Stainless Steel
3	Spring Press Segment	Stainless Steel
4	Disc Press Segment	Stainless Steel
5	Centering Cylinder	Stainless Steel

DIMENSIONS										
Dia. mm	15	20	25	32	40	50	65	80	100	
L ( mm )	16	19	21	27	31	40	46	50	60	
D ( mm )	39	46	54	70	80	96	113	130	150	

OPEN PRESSURE MBAR				
DN	Flow Direction			
	Without Spring ↑	With Spring		
		↑	⇒	↓
15	2.5	25	22.5	20
20	2.5	25	22.5	20
25	2.5	25	22.5	20
32	3.5	27	23.5	20
40	4	28	24	20
50	4.5	29	24.5	20
65	5	30	25	20
80	5.5	31	25.5	20
100	6.5	33	26.5	20

## Pressure Drop Chart



### HEAD OFFICE - FACTORY

Atatürk Sanayi Bölgesi Hadımköy Mahallesi Mustafa İnan Caddesi No: 44 Arnavutköy - İSTANBUL  
 Tel: +90 212 771 01 45 (pbx) | Fax: +90 212 771 47 27  
 info@ayvaz.com | www.ayvaz.com

**Cona Caserta/Italy**  
 Tel: +39 0823 187 3988  
 rmlaro@ayvaz.com

**Ayvaz Germany Viernheim/Germany**  
 Tel: +49 62046014399  
 germany@ayvaz.com

**Ayvaz Ukraine Kiev/Ukraine**  
 Tel: +380 44 390 57 57  
 info@ayvaz.com.ua

**Tricorr Warsaw/Poland**  
 Tel: +48 530 030 810  
 +48 533 603 335  
 tricorr@tricorr.eu

**Ayvaz Azerbaijan Baku/Azerbaijan**  
 Tel: +99 (455) 579-84-32  
 ahayatov@ayvaz.com

**Ayvaz Egypt Cairo/Egypt**  
 Tel: +20 122 819 78 29  
 andrew.eid@ayvaz.com

**Ayvaz Gulf Dubai/U.A.E**  
 Tel: +971 563550822  
 +971 501306871  
 mideast@ayvaz.com

**Ayvaz China Ningbo/China**  
 Tel: +86 152 5830 7361  
 msahin@ayvaz.com

**Ayvaz Kazakhstan LLP Almaty/Kazakhstan**  
 Tel: +7 (727) 327 97 57  
 info\_kz@ayvaz.com

**Ayvaz N Ispirih/Bulgaria**  
 Tel: +359 8431 27 32  
 office@ayvaz-n.eu

**Ayvaz Serbia Belgrade/Serbia**  
 Tel: +381 61 658 70 52  
 yakbiyik@ayvaz.com

**Ayvaz Vietnam HCMC/Vietnam**  
 ggursoy@ayvaz.com  
 Tel: +84 89 8508345

**Ayvaz Americas Rhode Island/USA**  
 Tel: +1 401 737 8380  
 americas@ayvaz.com