



# CV-20/21/25/26

## CHECK VALVE / DOUBLE PLATE

### GENERAL FEATURES

Ayvaz CV20-21-25-26 Double Plated Check Valves are designed to operate with minimum flow restriction. The twin spring loaded half disc operate with the pipeline flow and reseal back against the rubber disc seating providing a positive shut off against any back flow. The resilient seating prevent a slamming action. Ayvaz CV20-21-25-26 Double Plated Check Valves offer greater flexibility and low cost in most piping systems and because of its light weight, it is so convenient to install and has smaller face to face dimensions than conventional swing check valve. These valves can be supplied to match the international flange standards (DIN, ANSI, JIS & BS).

Double Plate Check Valves have features such as compact design, easy installation, good flow characteristics,

low pressure loss and vertical and horizontal mounting.

**Product Material:**

Body: GG25 Cast Iron (CV-20/25)  
GGG.40 (CV-21/26)  
Disc: AISI 316 Stainless Steel (CV-20/21)  
GGG 40 Nickel Plated (CV-25/26)

**Connection:**

Wafer type

**Nominal Diameter:**

DN50 (2") – DN600 (24")

**Pressure:**

PN16 (DN 25-300)  
PN10 (DN 350-400)

**Temperature Range:**

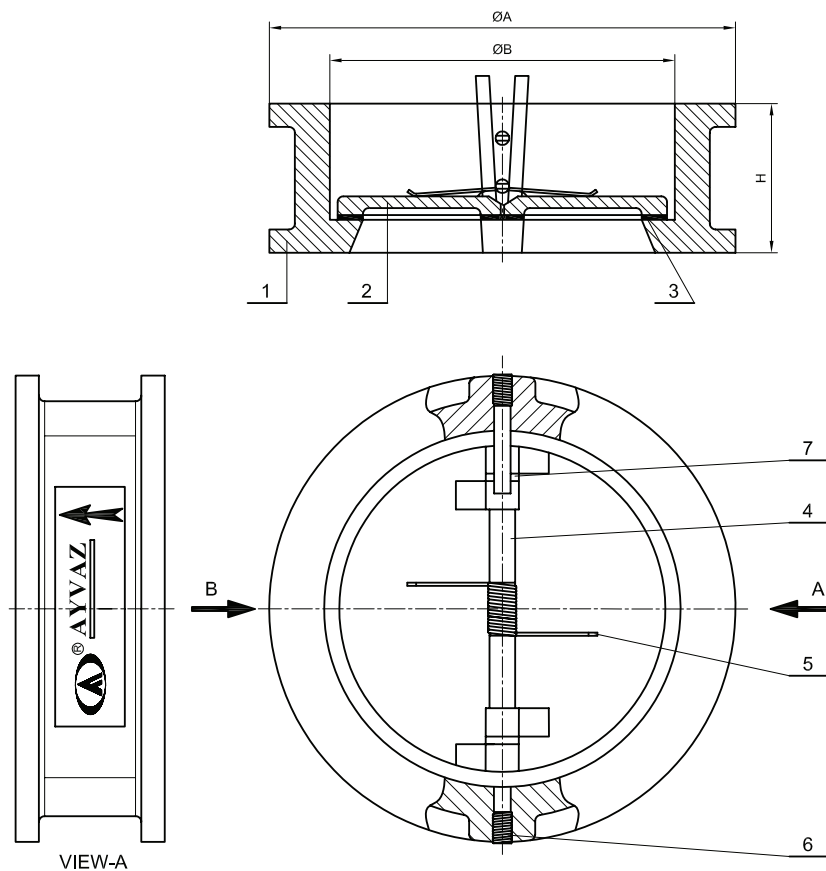
According to material from -10°C to 110°C.

**Application Areas:**

- HVAC Systems
- High frequency lines
- Fire Fighting Protection
- Ship mechanic and cooling systems
- Iron, steel and mining industry
- Mineral and oil industry
- Woodworking and paper industry
- Textile Industry
- Water Lines

SHOCK-FREE MAXIMUM SERVICE PRESSURE	50 - 300 mm	350 - 600 mm
SEAT TEST PRESSURE	13,7 bar	10 bar
BODY TEST PRESSURE	20 bar	16 bar

# CV-20/21/25/26 CHECK VALVE / DOUBLE PLATE

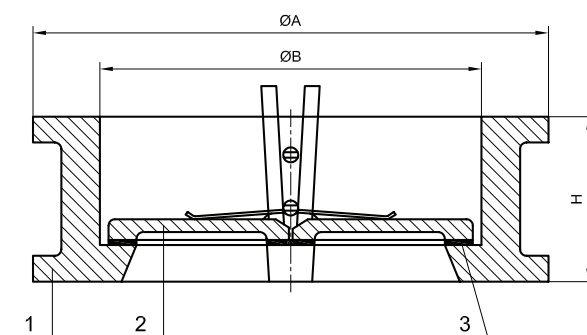
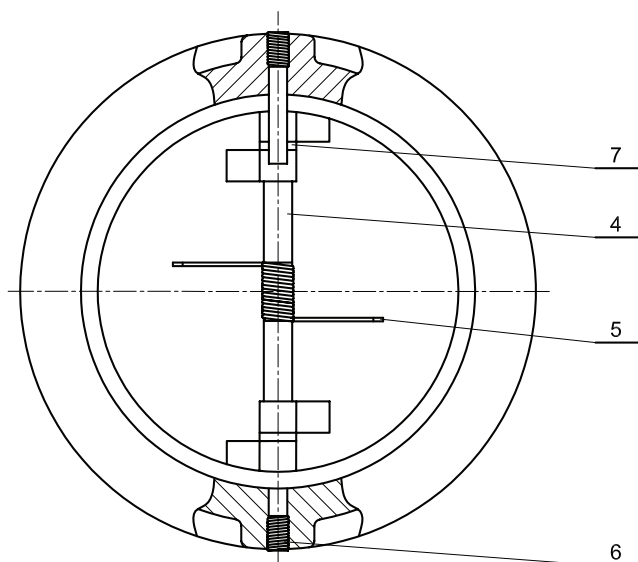


DN	A	B	H
50	109	70,5	54
65	129	83,5	54
80	144	90,5	57
100	164	115,5	64
125	194	142,5	70
150	220	169,5	76
200	275	220,5	95
250	330	275,5	108
300	380	325,5	144
350	440	356	184
400	491	406	191
450	541	467	203
500	596	514	213
600	697	616	222

No	Part List	CV-20 Material
1	Body	GG25 Cast Iron
2	Disc	AISI 316 Stainless Steel
3	Resilient Seat	EPDM
4	Hinge Pin	AISI 316 Stainless Steel
5	Spring	AISI 304 Stainless Steel
6	Retainer Screw	Carbon Steel
7	Disc Bearing	Teflon

No	Part List	CV-21 Material
1	Body	GGG40 Cast Iron
2	Disc	AISI 316 Stainless Steel
3	Resilient Seat	EPDM
4	Hinge Pin	AISI 316 Stainless Steel
5	Spring	AISI 304 Stainless Steel
6	Retainer Screw	Carbon Steel
7	Disc Bearing	Teflon

# CV-20/21/25/26 CHECK VALVE / DOUBLE PLATE



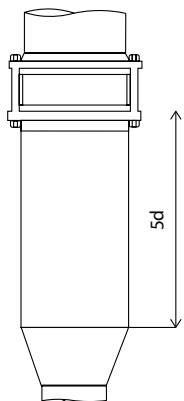
DN	A	B	H
50	109	70,5	54
65	129	83,5	54
80	144	90,5	57
100	164	115,5	64
125	194	142,5	70
150	220	169,5	76
200	275	220,5	95
250	330	275,5	108
300	380	325,5	144
350	440	356	184
400	491	406	191
450	541	467	203
500	596	514	213
600	697	616	222

No	Part List	CV25 Material
1	Body	GG25 Cast Iron
2	Disc	GGG 40 Nickel Plated
3	Resilient Seat	EPDM
4	Hinge Pin	AISI 316 Stainless Steel
5	Spring	AISI 304 Stainless Steel
6	Retainer Screw	Carbon Steel
7	Disc Bearing	Teflon

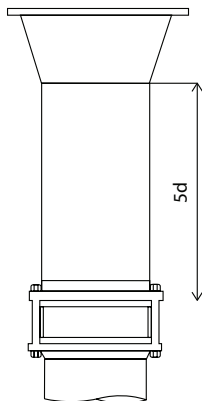
No	Part List	CV26 Material
1	Body	GGG40 Cast Iron
2	Disc	GGG 40 Nickel Plated
3	Resilient Seat	EPDM
4	Hinge Pin	AISI 316 Stainless Steel
5	Spring	AISI 304 Stainless Steel
6	Retainer Screw	Carbon Steel
7	Disc Bearing	Teflon

# CV-20/21/25/26 CHECK VALVE / DOUBLE PLATE

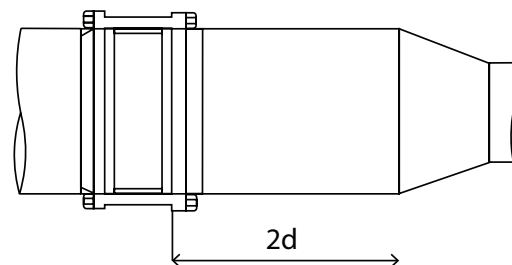
## INSTALLATION



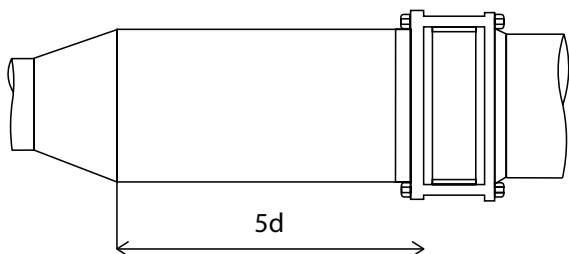
If the diameter is reduced before the check valve (reduction), a check valve must be placed at least 5d after the reduction.



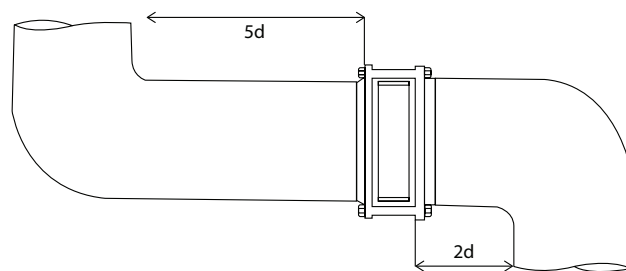
If the diameter increase after the check valve (reduction), a check valve must be placed at least 5d before the reduction.



If the diameter reduced after the check valve (reduction), a check valve must be placed at least 2d distance before the reduction..

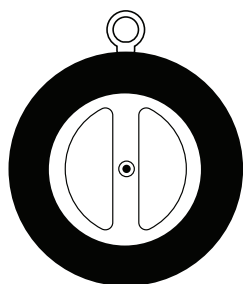


If the diameter is reduced before the check valve (reduction), a check valve must be placed at least 5d after the reduction.

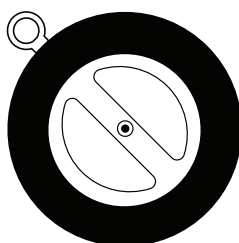


If the closed elbow before and after the check valve, the check valve must be placed at a minimum distance of 5d from the previous elbow and a minimum distance of 2d after the elbow.

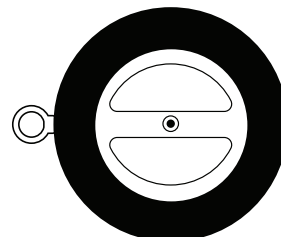
## HORIZONTAL INSTALLATION



O

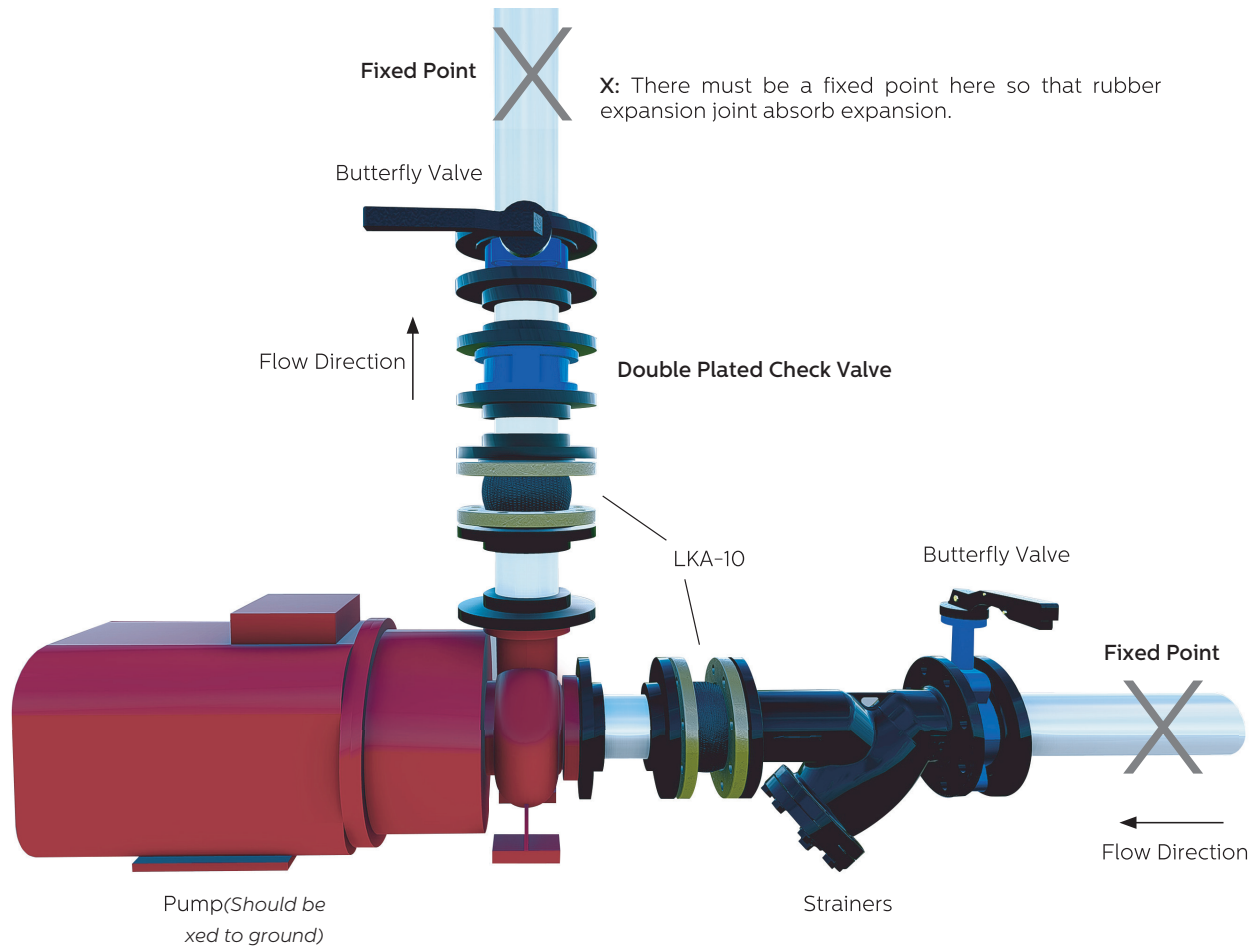


XX



# CV-20/21/25/26 CHECK VALVE / DOUBLE PLATE

## 3D APPLICATION SAMPLE



- A double-plate check valve is used after the pump in the pump discharge lines.
- Prevents the fluid from returning to the pump when the pump is running or the pump has stopped.



#### HEAD OFFICE - MAIN FACTORY

Atatürk Sanayi Bölgesi Hadımköy Mahallesi  
Mustafa İnan Caddesi No: 44 Arnavutköy - İstanbul  
Tel: +90 212 771 01 45 (pbx) | Fax: +90 212 771 47 27  
info@ayvaz.com | www.ayvaz.com



Cona  
Caserta / Italy  
Tel : +39 0823 187 3988  
rmolaro@ayvaz.com



Ayvaz Ukraine  
Kiev / Ukraine  
Tel : +380 44 390 57 57  
info@ayvaz.com.ua



Tricorr  
Warsaw / Poland  
Tel : +48 530 030 810  
tricorr@tricorr.eu



Ayvaz Germany  
Viernheim / Germany  
Tel : +49 62046014399  
germany@ayvaz.com



Ayvaz Serbia  
Belgrade / Serbia  
Tel : +381 61 658 70 52  
yakbiyik@ayvaz.com



Ayvaz Azerbaijan  
Baku / Azerbaijan  
Tel : +99(455)579-84-32  
ahayatov@ayvaz.com



Ayvaz Kazakhstan LLP  
Almaty / Kazakhstan  
Tel : +7 (727) 327 97 57  
www.ayvaz.kz



Ayvaz N  
Isperih / Bulgaria  
Tel : +359 8431 27 32  
office@ayvaz-n.eu



Ayvaz Vietnam  
HCMC / Vietnam  
Tel : +84 89 8508345  
ggursoy@ayvaz.com



Ayvaz China  
Ningbo / China  
Tel : +86 152 5830 7361  
msahin@ayvaz.com



Ayvaz Egypt  
Cairo / Egypt  
Tel : +20 122 819 78 29  
andrew.eid@ayvaz.com



Ayvaz Gulf  
Dubai / U.A.E.  
Tel : +971 563550822  
+971 501306871  
mideast@ayvaz.com



Ayvaz Americas  
Rhode Island  
Tel : +1 401 737 8380  
americas@ayvaz.com