



EG-11

LEVEL MEASUREMENT DEVICE

GENERAL FEATURES

The Ayvaz EG-11 is a closed-loop control device. Float element is used as the main part. Change in liquid level causes the float in the vertical direction along the tube. The movement of the magnetic float stimulates the reed switches that produce a signal according to whether the reed switches are open or closed. The generated signal is detected by the digital display element. The digital indicator that works according to the binary scheme evaluates the signal and reports its position.

EG-11 level control devices provide output of the 4-20mA or 0-10V automation system to the control panel, regardless of the shape of level tank in the top connected tanks. The reed switches that are installed inside of the device give an omeg signal due to the magnetic float moving on the tube. This signal can be converted to 4-20mA or 0-10V using the EG-112R control panel.

At the same time, it is possible to receive 4 contacts at the desired points via the panel. 4-20 mA signal can be supplied to compatible system via in-built converter in advance.

Product Features

Body and Float

: AISI 304 Stainless Steel
(Opt. AISI316 and Extra Teflon Coated)

Feeding Voltage

: 220 VAC (24 V Optional)

Flanged Material

: Carbon Steel St37.2 / Stainless Steel

Connection Dia. and

: Min. DN50 PN16 Flanged,

Type

: Min. 2" Threaded

Working Temperature

: -10 / +125 °C

Analog Output

: 4-20 mA

Max. Working Pressure

: 16 bar

Accessories

: Control Panel and Digital Display

Digital Display

: EG-11 2R Digital Display
(24V DC veya 220 VAC)

Optional Selection

: IP68 + EX-PROOF

Advantages

- Ability to get contact at desired points
- Both open / closed contact
- Long life duration
- Complete stainless steel parts
- Simple assembly application and easy to use

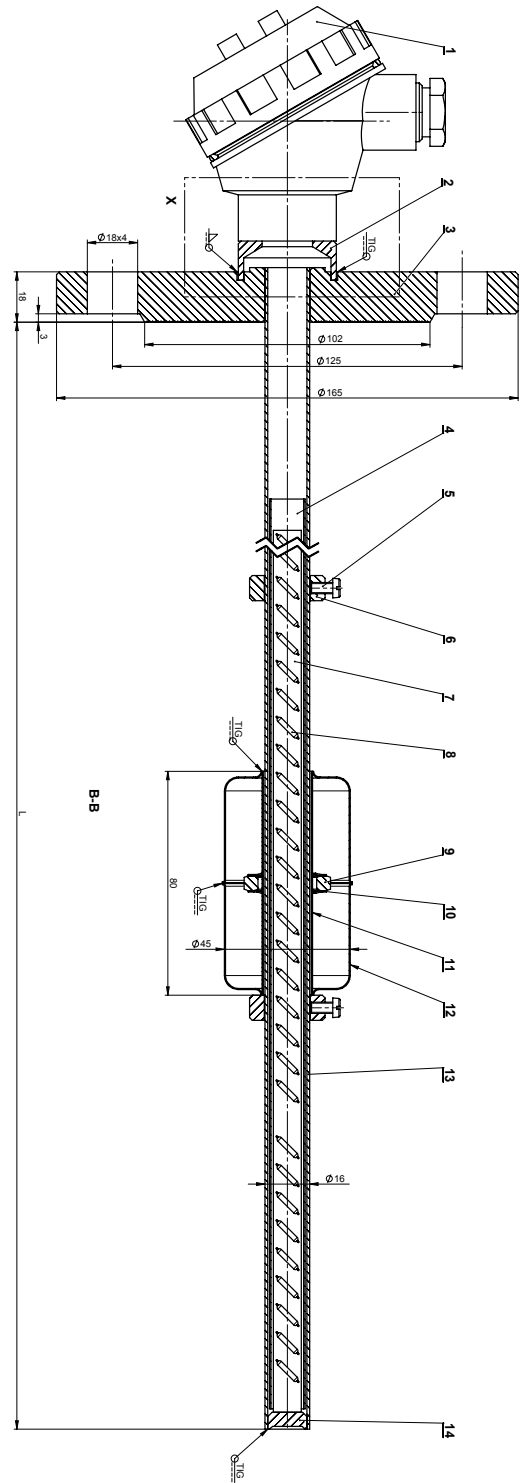
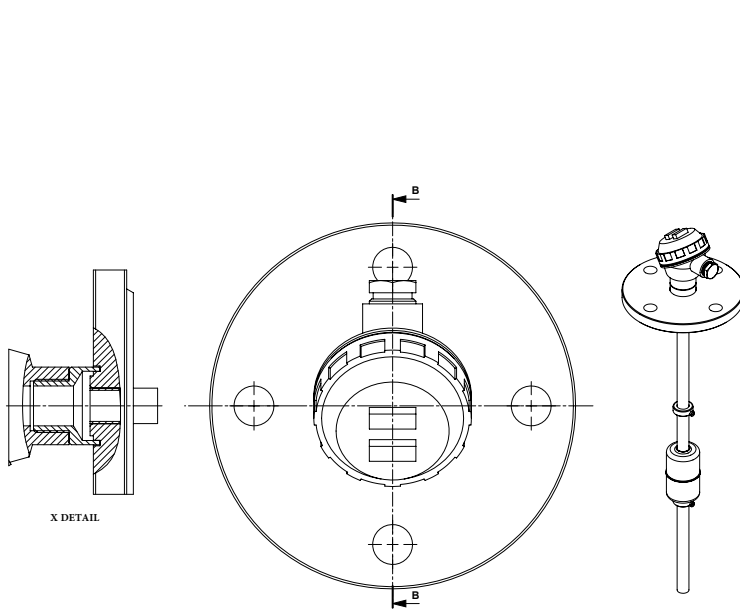
Application Areas

- Shipbuilding industry
- Waste water and bilge tanks
- Waste / clean water tanks
- Food industry
- Fuel tanks
- Acid tanks
- Chemical / petrochemical tanks



EG-11 LEVEL MEASUREMENT DEVICE

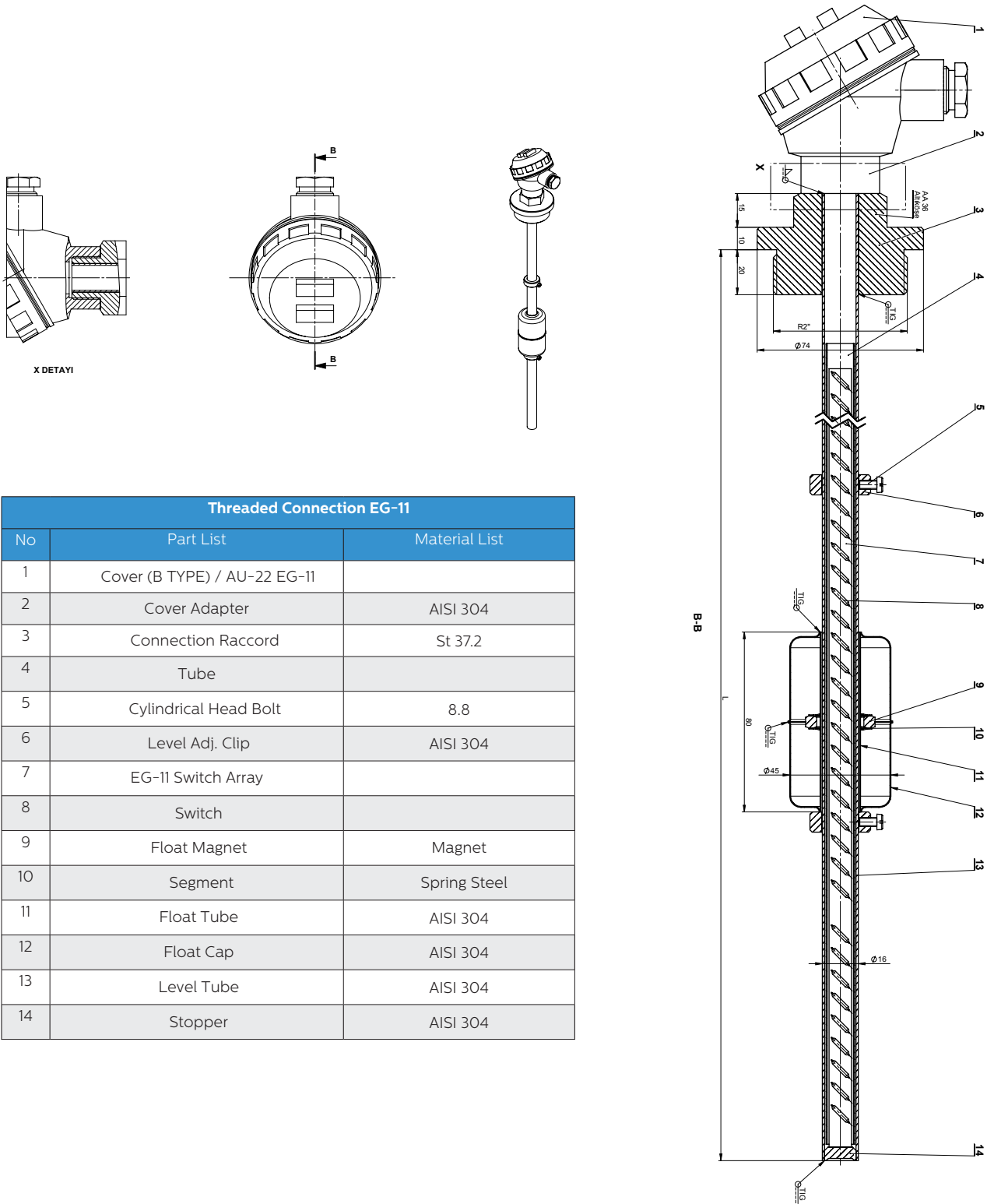
FLANGED TYPE



| DN50 PN16 FLANGED EG-11 | | |
|-------------------------|------------------------------|---------------|
| No | Part Name | Material List |
| 1 | Cover (B TYPE) / AU-22 EG-11 | |
| 2 | Cover Adapter | AISI 304 |
| 3 | Connection Flanged | |
| 4 | Tube | |
| 5 | Cylindrical Head Bolt | 8.8 |
| 6 | Level Adj. Clip | AISI 304 |
| 7 | EG-11 Switch Array | |
| 8 | Switch | |
| 9 | Float Magnet | Magnet |
| 10 | Segment | Spring Steel |
| 11 | Float Tube | AISI 304 |
| 12 | Float Cap | AISI 304 |
| 13 | Level Tube | AISI 304 |
| 14 | Stopper | AISI 304 |

EG-11 LEVEL MEASUREMENT DEVICE

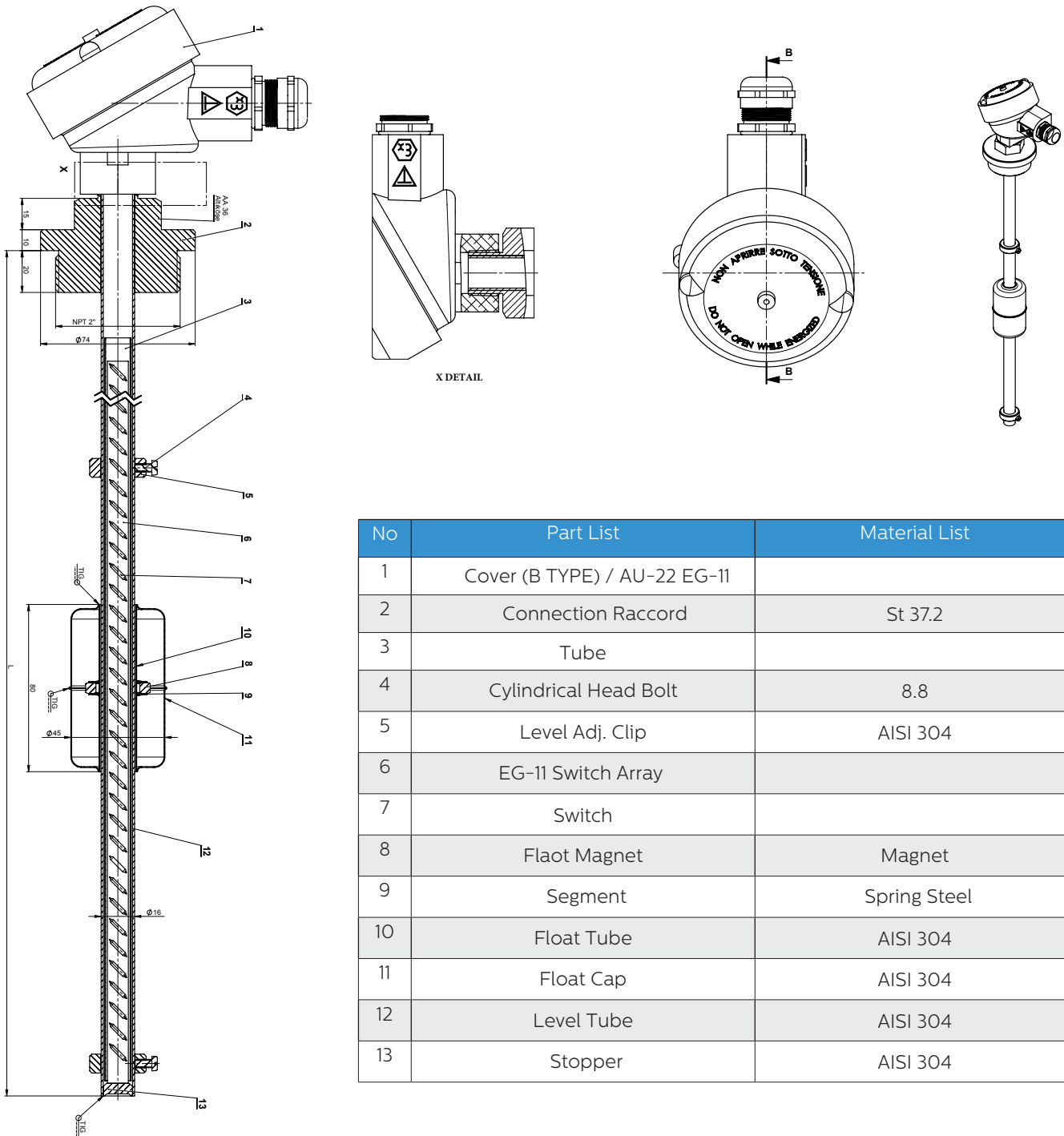
THREADED TYPE



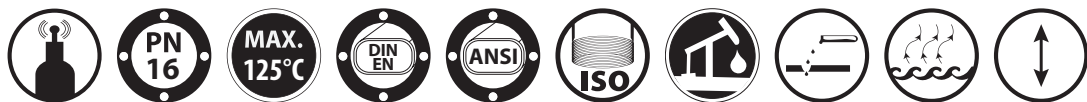
| Threaded Connection EG-11 | | |
|---------------------------|------------------------------|---------------|
| No | Part List | Material List |
| 1 | Cover (B TYPE) / AU-22 EG-11 | |
| 2 | Cover Adapter | AISI 304 |
| 3 | Connection Raccord | St 37.2 |
| 4 | Tube | |
| 5 | Cylindrical Head Bolt | 8.8 |
| 6 | Level Adj. Clip | AISI 304 |
| 7 | EG-11 Switch Array | |
| 8 | Switch | |
| 9 | Float Magnet | Magnet |
| 10 | Segment | Spring Steel |
| 11 | Float Tube | AISI 304 |
| 12 | Float Cap | AISI 304 |
| 13 | Level Tube | AISI 304 |
| 14 | Stopper | AISI 304 |

EG-11 LEVEL MEASUREMENT DEVICE

EXPROOF TYPE



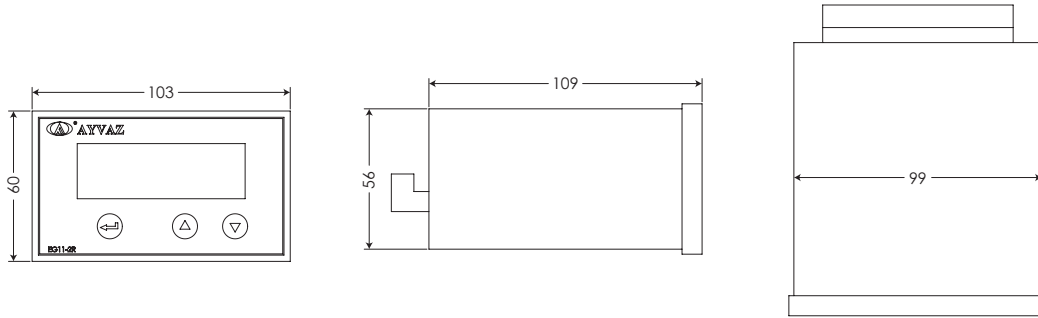
| No | Part List | Material List |
|----|------------------------------|---------------|
| 1 | Cover (B TYPE) / AU-22 EG-11 | |
| 2 | Connection Raccord | St 37.2 |
| 3 | Tube | |
| 4 | Cylindrical Head Bolt | 8.8 |
| 5 | Level Adj. Clip | AISI 304 |
| 6 | EG-11 Switch Array | |
| 7 | Switch | |
| 8 | Floot Magnet | Magnet |
| 9 | Segment | Spring Steel |
| 10 | Float Tube | AISI 304 |
| 11 | Float Cap | AISI 304 |
| 12 | Level Tube | AISI 304 |
| 13 | Stopper | AISI 304 |



* Please consult our sales team for different sizes, connections, pressures and applications.

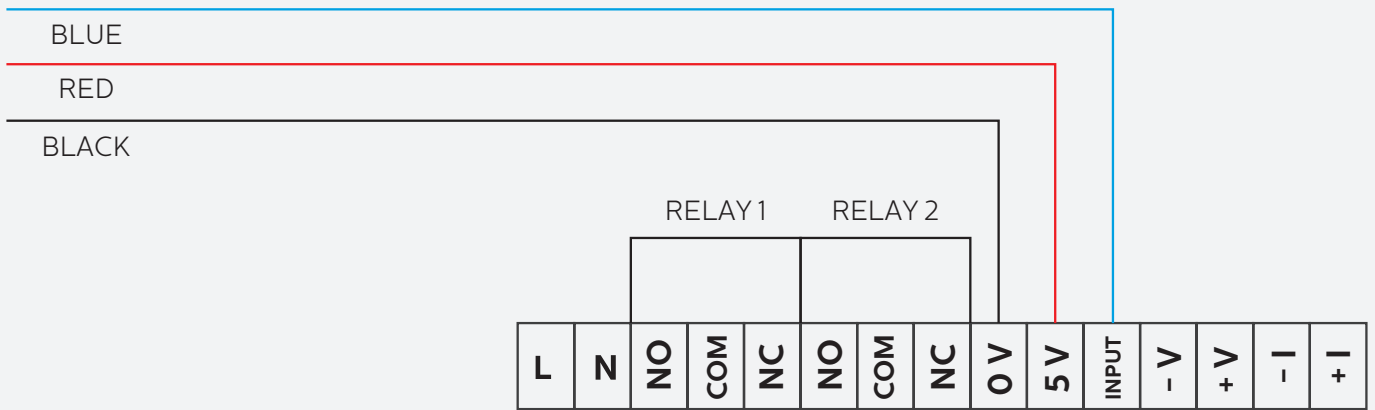


EG-11 LEVEL MEASUREMENT DEVICE

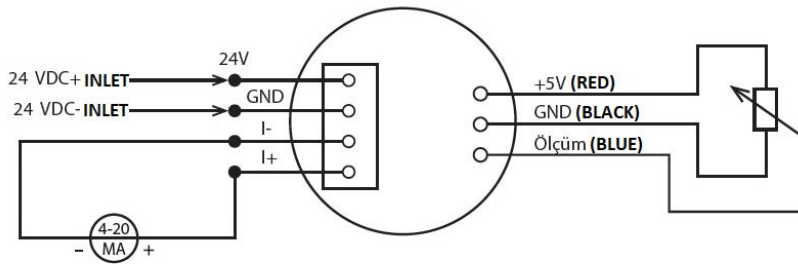


During the order phase; the voltage to be used (220V- 24V) and the system electrical connection (50-60 Hz) must be specified.

EG-11 ELECTRICAL CONNECTION SCHEME



4-20 MA CONVERTER CONNECTION



If you have a PLC system, you can use the 4-20 mA converter connection.



EG-11 LEVEL MEASUREMENT DEVICE

EG-11 LEVEL MEASUREMENT DEVICE



HEAD OFFICE - FACTORY

Atatürk Sanayi Bölgesi Hadımköy Mahallesi Mustafa İnan Caddesi No: 44 Arnavutköy - İSTANBUL
Tel: +90 212 771 01 45 (pbx) | Fax: +90 212 771 47 27
info@ayvaz.com | www.ayvaz.com

Cona Caserta/Italy

Tel: +39 0823 187 3988
rmolaro@ayvaz.com

Ayvaz Germany Viernheim/Germany

Tel: +49 62046014399
germany@ayvaz.com

Ayvaz Ukraine Kiev/Ukraine

Tel: +380 44 390 57 57
info@ayvaz.com.ua

Tricorr Warsaw/Poland

Tel: +48 530 030 810
+48 533 603 335
tricorr@tricorr.eu

Ayvaz Azerbaijan Baku/Azerbaijan

Tel: +99 (455) 579-84-32
ahayatov@ayvaz.com

Ayvaz Egypt Cairo/Egypt

Tel: +20 122 819 78 29
andrew.eid@ayvaz.com

Ayvaz Gulf Dubai/U.A.E

Tel: +971 563550822
+971 501306871
mideast@ayvaz.com

Ayvaz China Ningbo/China

Tel: +86 152 5830 7361
msahin@ayvaz.com

Ayvaz Kazakhstan LLP Almaty/Kazakhstan

Tel: +7 (727) 327 97 57
info_kz@ayvaz.com

Ayvaz N Ispirih/Bulgaria

Tel: +359 8431 27 32
office@ayvaz-n.eu

Ayvaz Serbia Belgrade/Serbia

Tel: +381 61 658 70 52
yakbiyik@ayvaz.com

Ayvaz Vietnam HCMC/Vietnam

Tel: +84 89 8508345

Ayvaz Americas Rhode Island/USA

Tel: +1 401 737 8380
americas@ayvaz.com