



ELO30



SMLC1

ELO30

SELF-CHECKING LOW WATER LEVEL CONTROLLER

GENERAL FEATURES

Regarding the operation and the controlling of the boilers, rules and regulations are subject to change due to country's applications. Nevertheless, it is clearly shown in the regulations that boilers should be operated safely without the assistance of a person when there is high-safety concern.

It can be extremely dangerous to operate boiler without water. Due to the high pressure inside of the boiler, water vapour will expand and apply forces on the boiler's walls. When the design limit is exceeded, the explosion might occur.

If the water level drops to the pre-set low level, the level controller will immediately shut-off and lock the burner of the boiler. Even though, burner is fixed, it still needs to be reset manually.

To prevent such extremely dangerous events and to lock burner of the boiler safely, low level alarm limiter should be used. The limiter is used for monitoring a water minimum fill level in steam boilers. If the water level falls the below the minimum, the limiter should switch off the burner so that over heating can be prevented before injury to people or damage to installation. The level controller is self checking 52 times every second. Thus, no need for testing button for the controller.

ELO30 LEVEL PROBE

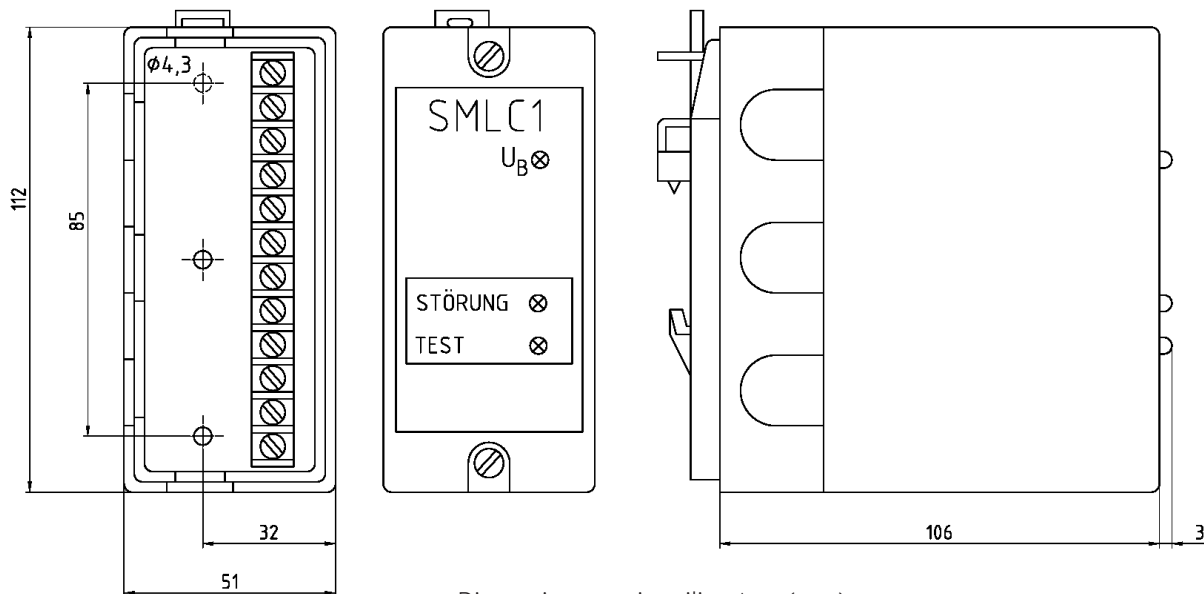
- Protective Tube:** Stainless Steel
- Probe:** Stainless Steel
- Insulator:** PTFE
- Socket:** Polyamide
- Sealing Ring:** Metal Gasket
- Connection:** 1/2" Threaded
- Max. Working Pressure:** 32 bar
- Max. Working Temperature:** 239 °C

SMLC1 CONTROL UNIT

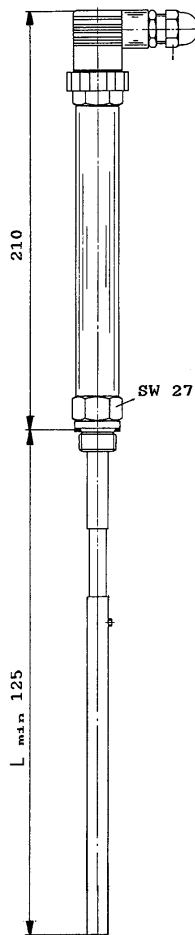
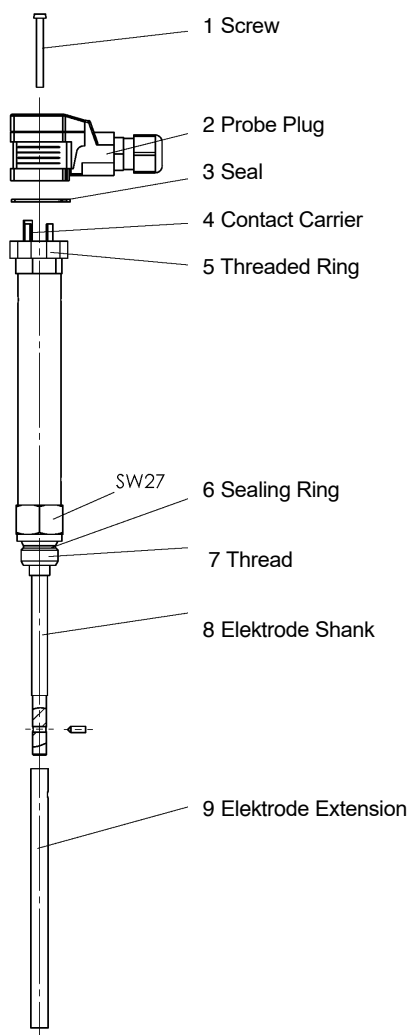
- Power Supply:** 230 V / 50-60 Hz
- Inlet:** 4,5 VA
- Fuse:** 80 mA / T
- Protection Class:** IP40

ELO30 SELF-CHECKING LOW WATER LEVEL CONTROLLER

TECHNICAL SPECIFICATIONS



Dimensions are in millimeters (mm).

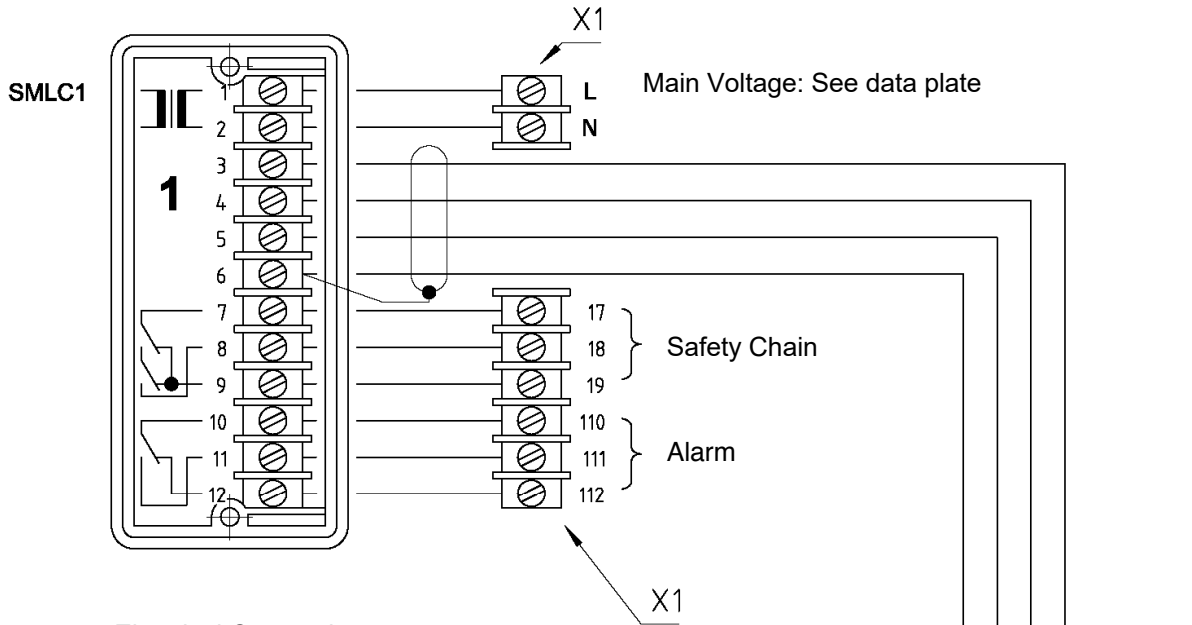


ELO30
L= 500 mm
L= 1000 mm
L= 1500 mm
L= 2000 mm

L electrode length can be produced to the desired size.

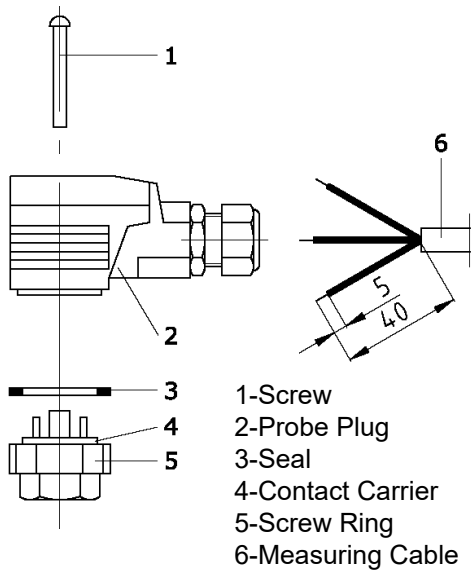
ELO30 SELF-CHECKING LOW WATER LEVEL CONTROLLER

ELECTRICAL CONNECTION SCHEME



Electrical Connection:
 Shielded Cable: 4 x 0.75 mm²
 E.G. LIHF/GLS 4x min 0.75mm²

Lead Connection at Probe Plug



EL030

ELO30 SELF-CHECKING LOW WATER LEVEL CONTROLLER

ELO30 SELF-CHECKING LOW WATER LEVEL CONTROLLER



HEAD OFFICE - FACTORY

Atatürk Sanayi Bölgesi Hadımköy Mahallesi Mustafa İnan Caddesi No: 44 Arnavutköy - İSTANBUL
Tel: +90 212 771 01 45 (pbx) | Fax: +90 212 771 47 27
info@ayvaz.com | www.ayvaz.com

Cona Caserta/Italy

Tel: +39 0823 187 3988
rmolaro@ayvaz.com

Ayvaz Germany Viernheim/Germany

Tel: +49 62046014399
germany@ayvaz.com

Ayvaz Ukraine Kiev/Ukraine

Tel: +380 44 390 57 57
info@ayvaz.com.ua

Tricorr Warsaw/Poland

Tel: +48 530 030 810
+48 533 603 335
tricorr@tricorr.eu

Ayvaz Azerbaijan Baku/Azerbaijan

Tel: +99 (455) 579-84-32
ahayatov@ayvaz.com

Ayvaz Egypt Cairo/Egypt

Tel: +20 122 819 78 29
andrew.eid@ayvaz.com

Ayvaz Gulf Dubai/U.A.E

Tel: +971 563550822
+971 501306871
mideast@ayvaz.com

Ayvaz China Ningbo/China

Tel: +86 152 5830 7361
msahin@ayvaz.com

Ayvaz Kazakhstan LLP Almaty/Kazakhstan

Tel: +7 (727) 327 97 57
info_kz@ayvaz.com

Ayvaz N Ispirih/Bulgaria

Tel: +359 8431 27 32
office@ayvaz-n.eu

Ayvaz Serbia Belgrade/Serbia

Tel: +381 61 658 70 52
yakbiyik@ayvaz.com

Ayvaz Vietnam HCMC/Vietnam

Tel: +84 89 8508345

Ayvaz Americas Rhode Island/USA

Tel: +1 401 737 8380
americas@ayvaz.com