



GTK-18

RESILIENT SEATED GATE VALVE / EN558 SERIES 14

PN10/16/25 NON-RISING STEM

GENERAL FEATURES

- Stem sealing package with additional third O-ring ensures better water tightness
- Replaceable O-rings under pressure according to ISO 7259
- Double lead driving thread made by rolling ensures smooth, quick operation and low torque
- Rubber encapsulated wedge providing seat tightness rate A (acc. to EN 12266-1) (acc. to EN 12266-1)
- Bonnet gasket wrapping each bolt providing better isolation from environment
- Completely free and full bore design ensures self-cleaning and low pressure loss
- Clockwise closing direction, non-rising stem
- Fusion bonded epoxy coated inside and outside
- Color: Blue RAL 5005

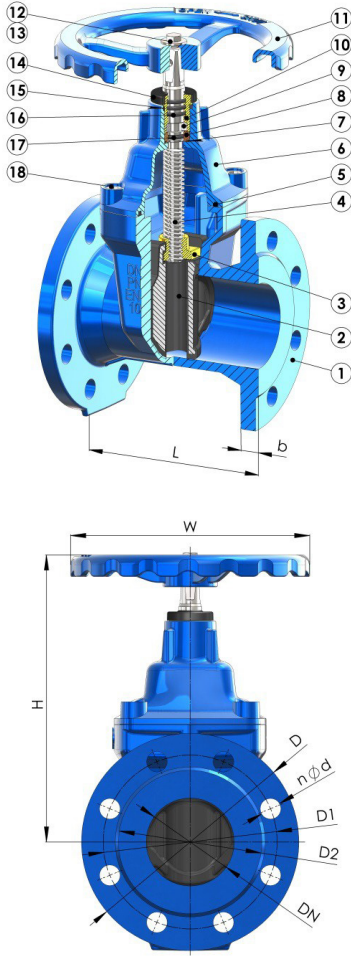
Technical Specifications

- Design: EN 1074-1 and 2; EN 1171
- Face to Face: EN 558 / ISO 5752 -14 base series
- Flanges: EN 1092-2 PN10/16
- Hydraulic test to EN12266-1
- Seat Test Pressure: 11/17.6/27,5 bar
- Shell Test Pressure: 15/24/37,5 bar
- Media: Potable water and other non-aggressive fluids
- Nominal pressure designation PN10/16 bar
- Temperature range: 0°C...80°

Optional extras

- Extension Spindle
- Handwheel
- Top flange in acc. to ISO 5210 B3
- Electric actuator

GTK-18 RESILIENT SEATED GATE VALVE EN558 SERIES 14



No	Part Name	Material	Grade
1	Body	DI	EN-JS 1050 (EN- GJS-500-7) EN 1563
2	Wedge	DI+Rubber	EN-JS 1050 (EN- GJS-500-7) EN 1563 +EPDM EN 681-1
3	Wedge nut	Brass	CW602 N (CuZn36Pb2As) EN 12167
4	Stem	SS	1.4021 (X20Cr13) EN10088-3-3
5	Gasket	Rubber	EPDM EN 681-1
6	Bonnet	DI	EN-JS 1050 (EN- GJS-500-7) EN 1563
7	O-ring	Rubber	EPDM EN 681-1
8	Support ring	Brass	CW602 N (CuZn36Pb2As) EN 12167
9	Semi collar	Brass	CW602 N (CuZn36Pb2As) EN 12167
10	Stuffing nut	Brass	CW602 N (CuZn36Pb2As) EN 12167
11	Handwheel	DI	EN-JS 1050 (EN- GJS-500-7) EN 1563
12	Washer	SS	EN ISO 7089
13	Bolt	SS	A2-70 EN ISO 4017
14	Dust guard	Rubber	NBR EN 681-1
15	O-ring	Rubber	EPDM EN 681-1
16	O-rings	Rubber	EPDM EN 681-1
17	O-ring	Rubber	EPDM EN 681-1
18	Boltt	Steel Zn-plated SS (on request)	8.8 EN ISO 4762 A2-70

DN	face to face	End Flange (EN 1092-2)			hand wheel		No. of turns to close	Closing Torque (N.m)	Unit weight (kg)	D2	b
	L	D1	D	n-d	W	F					
40	140	150	110	4-Ø 19	Ø 180	14	7,5	28	7	84	19
50	150	165	125	4-Ø 19	Ø 180	14	9	30	9,1	99	19
65	170	185	145	4-Ø 19	Ø 200	14	10	30	12,5	118	19
80	180	200	160	8-Ø 19	Ø 200	17	12	35	14,9	132	19
100	190	220	180	8-Ø 19	Ø 220	19	12	40	19,9	156	19
125	200	250	210	8-Ø 19	Ø 250	19	14,5	60	23,7	184	19
150	210	285	240	8-Ø 23	Ø 280	19	17	70	31,4	211	19
200	230	340	295	8-Ø 23 / 12-Ø 23	Ø 315	24	18,5	120	49,8	266	20
250	250	395 / 405	350 / 355	12-Ø 23 / 12-Ø 28	Ø 406	27	23	150	80,7	319	22
300	270	445 / 460	400 / 410	12-Ø 23 / 12-Ø 28	Ø 406	27	27	180	109,7	370	24,5
350	290	505 / 520	460 / 470	16-Ø 23 / 16-Ø 28	Ø 500	27	31	250	180	429	24,5/26,5
400	310	565 / 580	515 / 525	16-Ø 28 / 16-Ø 31	Ø 500	27	34,5	300	205	480	24,5/28
450	330	615 / 640	565 / 585	20-Ø 28 / 20-Ø 31	Ø 500	28	33	340	320	530/548	25,5/30
500	350	670 / 715	620 / 650	20-Ø 28 / 20-Ø 34	Ø 600	30	32	350	342	582/609	26,5/31,5
600	390	780 / 840	725 / 770	20-Ø 31 / 20-Ø 37	Ø 600	30	34,5	400	580	682/720	30/36



HEAD OFFICE - FACTORY

Atatürk Sanayi Bölgesi Hadımköy Mahallesi Mustafa İnan Caddesi No: 44 Arnavutköy - İSTANBUL
 Tel: +90 212 771 01 45 (pbx) | Fax: +90 212 771 47 27
 info@ayvaz.com | www.ayvaz.com