



A2W

GENERAL USAGE SOLENOID VALVE

GENERAL FEATURES

The name given as solenoid valve to the electromagnetic valve used to control fluids such as water, air, oil etc.

The bobbin is supplied with electrical power so that the piston in the valve can move. When the electric current moves in the coil, the piston becomes the electromagnet and moves the piston according to the state of use of the coil. Thus, the inlet channel starts to push the fluid in the direction of the output.

When the signal is interrupted, the valve returns to its original state and prevents the passage of the fluid.

Connection: 3/8" Threaded, 2" Threaded

Gasket Material: NBR
(Optional EPDM, Viton)

Body Material:
Brass/Stainless Steel

Working Temperature: -10°C / 80 °C

Working Pressure: 0,3-10 bar

Supply: AC 220 V

Cover Class: IP 65

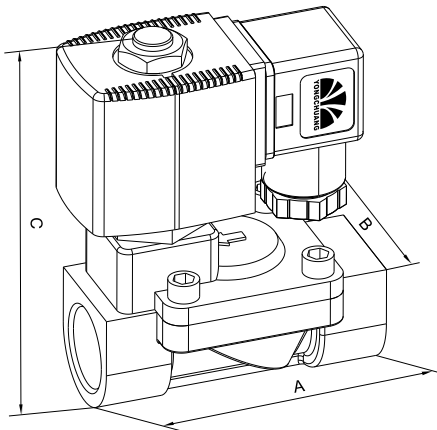
Fluid:
Water, Air, Oil etc.

Body Pressure: PN 16

Solenoid Type:
Normally Closed
(Optional Normally Open)

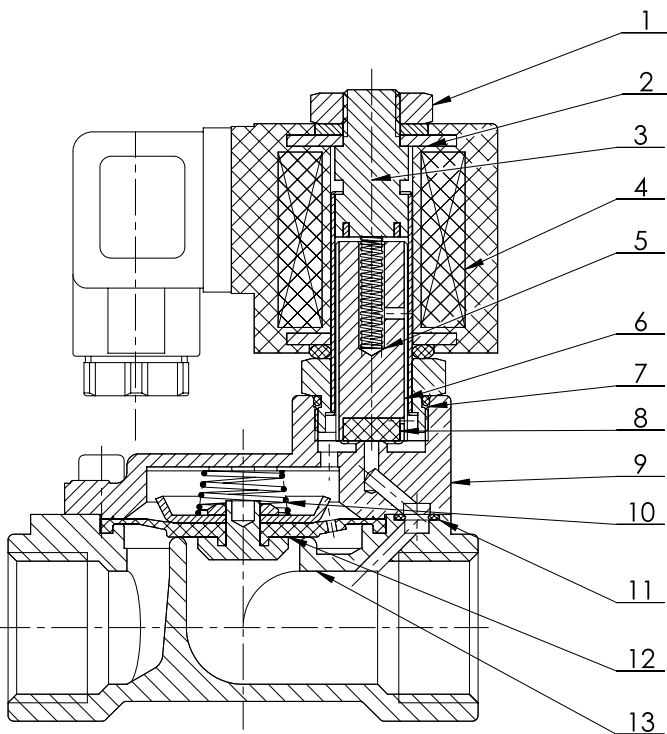
Valve Body	Inch	Dia.	Cv	Min. Pressure	Max. Pressure	Gasket Material	Body Material	Coil
					AC(220VA)			
A2W	3/8"	12	4.5	0,3 bar	10 bar	NBR (Optional EPDM Viton)	Brass/ Stainless Steel	S21B
A2W	1/2"	15	4.5	0,3 bar	10 bar			S21B
A2W	3/4"	20	9.3	0,3 bar	10 bar			S21B
A2W	1"	25	12	0,3 bar	10 bar			S21B
A2W	1 1/4"	32	24	0,3 bar	10 bar			S21B
A2W	1 1/2"	40	29	0,3 bar	10 bar			S21B
A2W	2"	50	48	0,3 bar	10 bar			S21B

A2W GENERAL USAGE SOLENOID VALVE



A2W BRASS - TECHNICAL SPECIFICATION						
Body (mm)	15	20	25	32	40	50
A	75	83	100	130	130	156
B	48	56	72	96	96	122
C	106	115	118	147	147	161

A2W STAINLESS STEEL - TECHNICAL SPECIFICATION						
Body (mm)	15	20	25	32	40	50
A	75	83	100	130	130	156
B	48	60	70	92	92	113
C	100	110	123	142	142	156



Part No	Part	Material
1	Nut	AISI 304
2	Internal Part	AISI 304
3	Enduction Coil Pipe	1J117+304
4	Coil Armaturen	S91B
5	Spring	AISI 304
6	Pressure Rod	1J117
7	O-Ring	NBR
8	Gasket	NBR(Optional EPDM, Viton)
9	Bonner	Brass/ Stainless Steel
10	Spring	AISI 304
11	O-Ring	NBR
12	Diaphragm	NBR(Optional EPDM, Viton)
13	Body	Brass/ AISI 304 Stainless Steel



HEAD OFFICE - FACTORY

Atatürk Sanayi Bölgesi Hadımköy Mahallesi Mustafa İnan Caddesi No: 44 Arnavutköy - İSTANBUL
 Tel: +90 212 771 01 45 (pbx) | Fax: +90 212 771 47 27
 info@ayvaz.com | www.ayvaz.com

Cona
Caserta/Italy
 Tel: +39 0823 187 3988
 rmolaro@ayvaz.com

Ayvaz Germany
Viernheim/Germany
 Tel: +49 62046014399
 germany@ayvaz.com

Ayvaz Ukraine
Kiev/Ukraine
 Tel: +380 44 390 57 57
 info@ayvaz.com.ua

Tricorr
Warsaw/Poland
 Tel: +48 530 030 810
 +48 533 603 335
 tricorr@tricorr.eu

Ayvaz Azerbaijan
Baku/Azerbaijan
 Tel: +99 (455) 579-84-32
 ahayatov@ayvaz.com

Ayvaz Egypt
Cairo/Egypt
 Tel: +20 122 819 78 29
 andrew.eid@ayvaz.com

Ayvaz Gulf
Dubai/U.A.E
 Tel: +971 563550822
 +971 501306871
 mideast@ayvaz.com

Ayvaz China
Ningbo/China
 Tel: +86 152 5830 7361
 msahin@ayvaz.com

Ayvaz Kazakhstan LLP
Almaty/Kazakhstan
 Tel: +7 (727) 327 97 57
 info_kz@ayvaz.com

Ayvaz N
İsperih/Bulgaria
 Tel: +359 8431 27 32
 office@ayvaz-n.eu

Ayvaz Serbia
Belgrade/Serbia
 Tel: +381 61 658 70 52
 yakbiyik@ayvaz.com

Ayvaz Vietnam
HCMC/Vietnam
 Tel: +84 89 8508345

Ayvaz Americas
Rhode Island/USA
 Tel: +1 401 737 8380
 americas@ayvaz.com