

MV-330



MV-416



MV-417



## MANOMETER VALVE

### GENERAL FEATURES

Manometer valves are used where the pressure gauges are used for control purposes and where the pressure value is not required to be seen continuously. When required, measurement can be happen by opening the taps.

MV-416, MV-417, MV-330 Manometer Valves are useful in chemical and petrochemical industries, power plants, fuel plants and steel plants for pressure and differential pressure measurement.

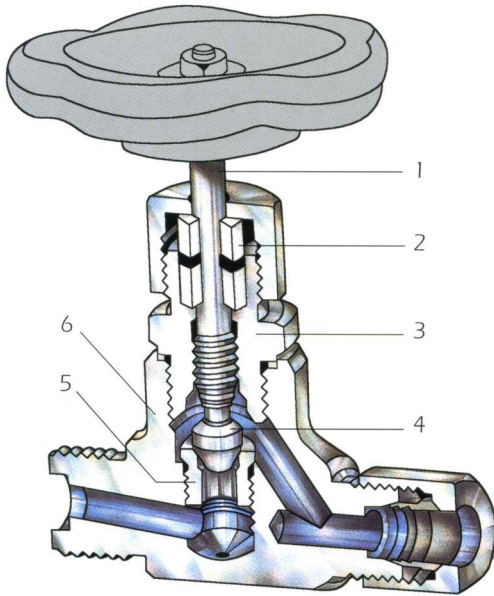
Pressure tested according to DIN 3230. Suitable for liquid, steam and gas applications (as well as waste gas service according to NACE - BEB standard). Certificated accordance EN 10204.

| TECHNICAL SPECIFICATION |                        |
|-------------------------|------------------------|
| MV-330                  |                        |
| Stem, Valve, Seat       | 1.4104 Stainless Steel |
| Body and Cover          | Brass                  |
| Sealing                 | PTFE                   |
| Max. Working Temp.      | 120°C                  |
| Max. Working Pressure   | 25 bar                 |
| Nominal Dia.            | DN15 (1/2")            |

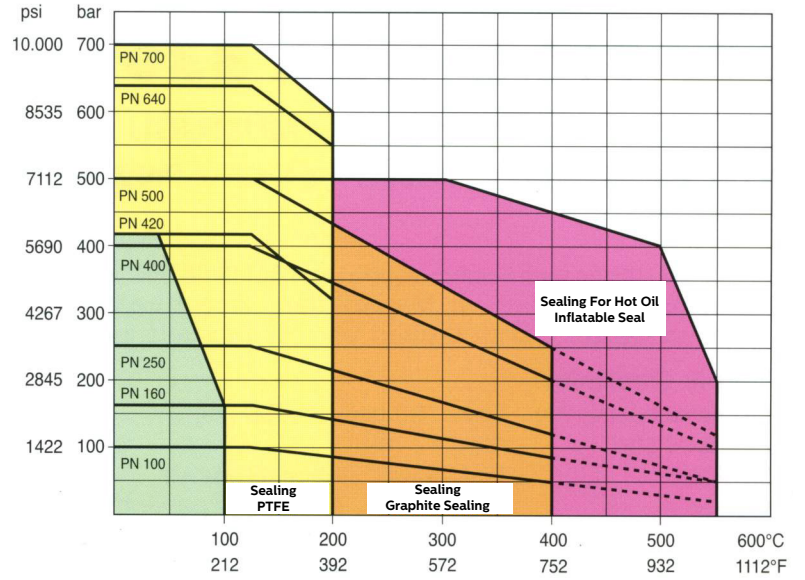
| TECHNICAL SPECIFICATION |                        |
|-------------------------|------------------------|
| MV-416 / MV-417         |                        |
| Stem, Valve, Seat       | 1.4104 Stainless Steel |
| Body and Cover          | Brass                  |
| Sealing                 | PTFE                   |
| Max Working Temp.       | 120°C                  |
| Max. Working Pressure   | 250 bar                |
| Nominal Dia.            | DN15 (1/2")            |

# MANOMETER VALVE

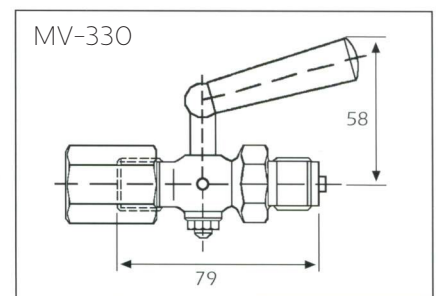
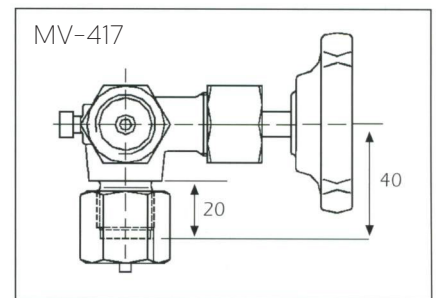
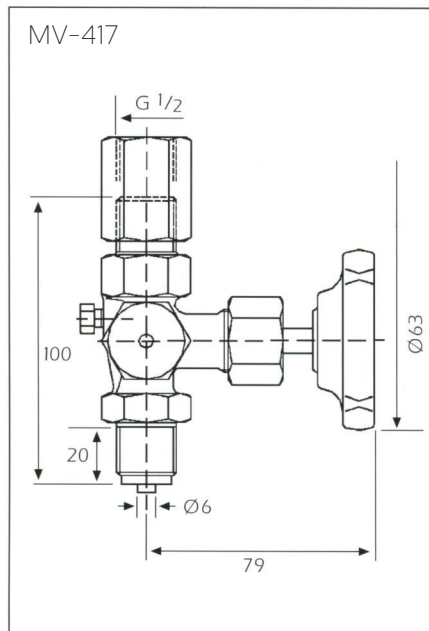
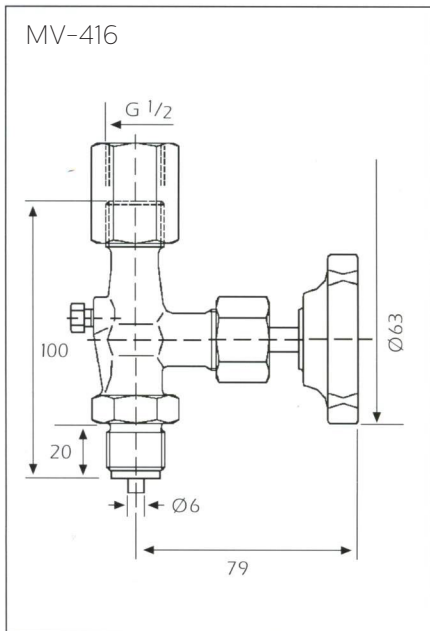
## STRUCTURE



## PRESSURE AND TEMPERATURE



| NO | PARTS | MATERIAL |
|----|-------|----------|
| 1  | Stem  | 1.4104   |
| 2  | Seal  | PTFE     |
| 3  | Cover | Brass    |
| 4  | Valve | 1.4104   |
| 5  | Seat  | 1.4104   |
| 6  | Body  | Brass    |



All the dimensions are in "mm"

# MANOMETER VALVE

## MANOMETER VALVE



### HEAD OFFICE - FACTORY

Atatürk Sanayi Bölgesi Hadımköy Mahallesi Mustafa İnan Caddesi No: 44 Arnavutköy - İSTANBUL  
Tel: +90 212 771 01 45 (pbx) | Fax: +90 212 771 47 27  
info@ayvaz.com | www.ayvaz.com

#### **Cona Caserta/Italy**

Tel: +39 0823 187 3988  
rmolaro@ayvaz.com

#### **Ayvaz Germany Viernheim/Germany**

Tel: +49 62046014399  
germany@ayvaz.com

#### **Ayvaz Ukraine Kiev/Ukraine**

Tel: +380 44 390 57 57  
info@ayvaz.com.ua

#### **Tricorr Warsaw/Poland**

Tel: +48 530 030 810  
+48 533 603 335  
tricorr@tricorr.eu

#### **Ayvaz Azerbaijan Baku/Azerbaijan**

Tel: +99 (455) 579-84-32  
ahayatov@ayvaz.com

#### **Ayvaz Egypt Cairo/Egypt**

Tel: +20 122 819 78 29  
andrew.eid@ayvaz.com

#### **Ayvaz Gulf Dubai/U.A.E**

Tel: +971 563550822  
+971 501306871  
mideast@ayvaz.com

#### **Ayvaz China Ningbo/China**

Tel: +86 152 5830 7361  
msahin@ayvaz.com

#### **Ayvaz Kazakhstan LLP Almaty/Kazakhstan**

Tel: +7 (727) 327 97 57  
info\_kz@ayvaz.com

#### **Ayvaz N Ispirih/Bulgaria**

Tel: +359 8431 27 32  
office@ayvaz-n.eu

#### **Ayvaz Serbia Belgrade/Serbia**

Tel: +381 61 658 70 52  
yakbiyik@ayvaz.com

#### **Ayvaz Vietnam HCMC/Vietnam**

ggursoy@ayvaz.com  
Tel: +84 89 8508345

#### **Ayvaz Americas Rhode Island/USA**

Tel: +1 401 737 8380  
americas@ayvaz.com