



## PRESSURE REDUCING VALVE

### GENERAL FEATURES

The pressure reducing control valves allow the output pressure to be adjusted. The mounted pilot ensures that the high inlet pressure remains constant by adjusting to the desired outlet pressure value. It is not affected by pressure and flow changes.

#### Technical Specifications

- Working with line pressure and not need extra energy
- Easy and precise adjustment with desired pressure
- Pressure reduction without being affected by pressure and flow changes in the system
- Manual on and off
- Easy maintenance

#### Adjustment

The mini ball valve at the outlet on the main valve is closed. When the pilot valve bolt on the valve is turned clockwise, the set pressure rises, and when turned counterclockwise, the set pressure is reduced. When the desired pressure value is found, the lock nut under the adjusting bolt is tightened and the mini ball valve at the outlet is opened.

#### Installation:

-Valve can be install in horizontal / vertical position

#### Valve Selection

$$D = \sqrt{\frac{250 \times Q}{\sqrt{H_m}}}$$

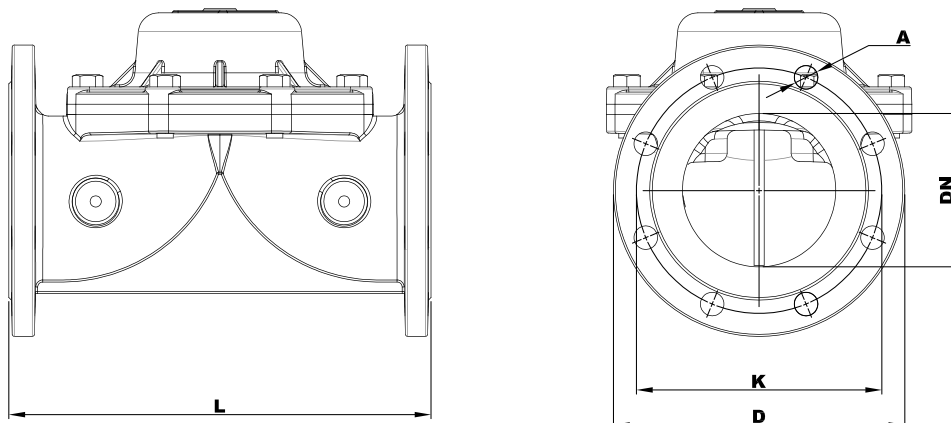
D: Draining Pressure Control Valve (mm)

Q: System Flow (m<sup>3</sup>/h)

H<sub>m</sub>: System Operating Pressure (mSS)

PRODUCT SPECIFICATIONS	
Body	GG-25 Cast Iron
Diaphragm	Cord Scrim Reinforced Natural Rubber
Cover	GG-25 Cast Iron
Diaphragm Pressure Ring	Polyamide
Spring	SST 302
Max. Working Pressure (bar)	16
Max. Working Temperature (°C)	80
Connection Type	Flanged
Pressure Reduce Rate	10:1

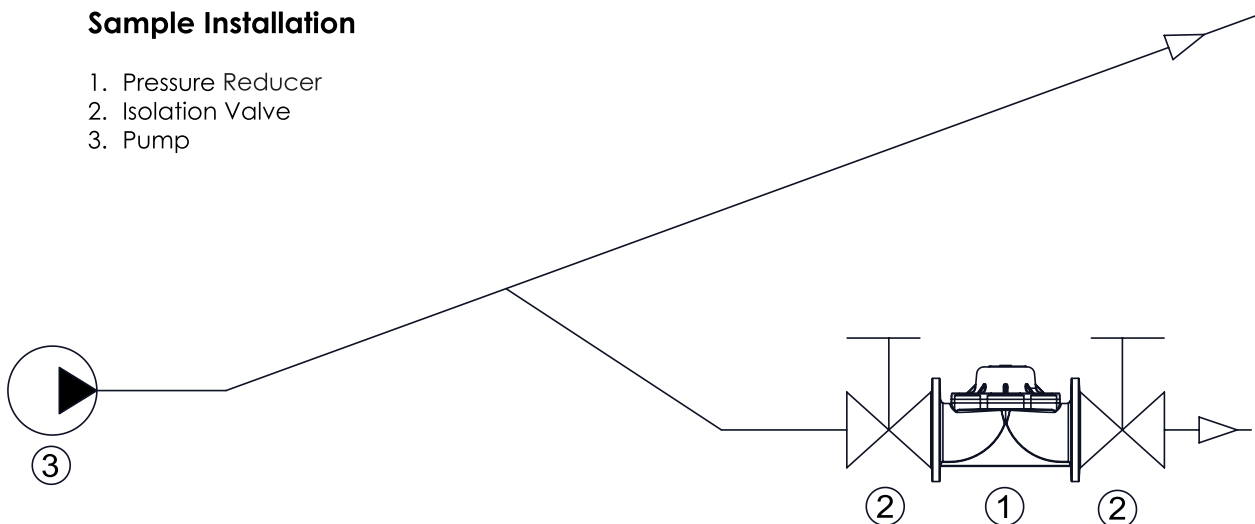
# PRESSURE REDUCING VALVE



DIMENSIONS (mm)					
DN	L	D	K	A	Number of Holes
50	205	165	125	19	4
65	205	185	145	19	4
80	290	200	160	19	8
100	300	220	180	19	8
125	330	250	210	19	8
150	415	285	240	23	8
200	475	340	295	23	12
250	475	405	355	28	12
300	525	460	410	28	12

## Sample Installation

1. Pressure Reducer
2. Isolation Valve
3. Pump



### HEAD OFFICE - FACTORY

Atatürk Sanayi Bölgesi Hadımköy Mahallesi Mustafa İnan Caddesi No: 44 Arnavutköy - İSTANBUL  
 Tel: +90 212 771 01 45 (pbx) | Fax: +90 212 771 47 27  
 info@ayvaz.com | www.ayvaz.com

#### Cona Caserta/Italy

Tel: +39 0823 187 3988  
 rmolaro@ayvaz.com

#### Ayvaz Russia Moscow/Russia

Tel: +7 9254070230  
 eakinci@ayvaz.com

#### Ayvaz Germany Viernheim/Germany

Tel: +49 62046014399  
 germany@ayvaz.com

#### Ayvaz Ukraine Kiev/Ukraine

Tel: +380 44 390 57 57  
 info@ayvaz.com.ua

#### Tricorr Warsaw/Poland

Tel: +48-32-783-295-1  
 tricorr@tricorr.eu

#### Ayvaz Azerbaijan Baku/Azerbaijan

Tel: +994 555 79 84 32  
 ahayatov@ayvaz.com

#### Hacı Ayvaz M.E. Dubai/U.A.E

Tel: +971 544431048  
 +971 501306871  
 mideast@ayvaz.com

#### Ayvaz China Jinan/China

Tel: +86 0574 5897 3851  
 info@ayvazchina.com

#### Ayvaz Kazakhstan LLP Almaty/Kazakhstan

Tel: +7 (727) 327 97 57  
 info\_kz@ayvaz.com  
 www.ayvaz.kz

#### Ayvaz N İsperih/Bulgaria

Tel: +359 8431 27 32  
 office@ayvaz-n.eu

#### Ayvaz Serbia Belgrade/Serbia

Tel: +381 61 658 70 52  
 yakbiyik@ayvaz.com

#### Ayvaz Vietnam HCMC/Vietnam

Tel: +84 89 850 83 45  
 ggursoy@ayvaz.com

#### Ayvaz Nigeria Lagos/Nigeria

dige@ayvaz.com  
 Tel: +234 906 308 6617  
 Tel: +234 909 465 3877