

# RC-11

## REFLEX GLASS LEVEL INDICATORS

### GENERAL FEATURES

Ayvaz Reflex Glass Level Indicators work on the principle that water and steam are seen in different brightnesses on the reflex glass as a result of different refraction of light in liquid and gas phases.

The liquid fluid appears dark due to the absorption of light, and the vapor appears bright because it reflects the light again. In this type of level indicators, the separation surface between the two liquids cannot be observed due to the product.

**Links**

DN20 PN 16 Flanged

**Pressure Values**

Up to 40 bar

**Operating temperature**

Max. operating temperature 250 °C

**Scope of Application**

- All steam boilers
- Filling and unloading containers
- Fuel containers
- Chemical industry
- Tanks used for oil and petroleum products
- All containers, open or closed

**Valve Body**

GG-25 Cast Iron

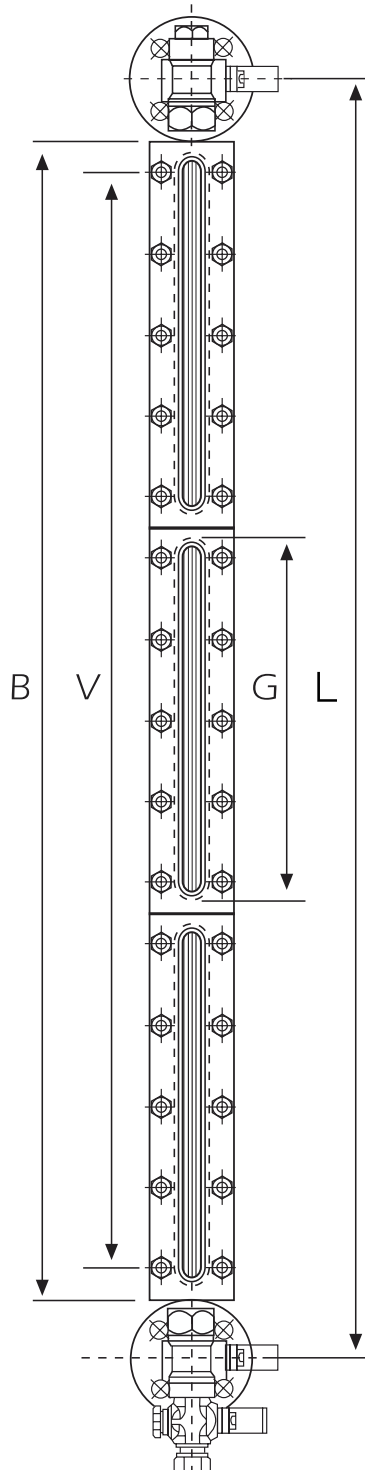
**Bottom Table**

Carbon steel

Max. L length is 2115mm. Please consult for different connections, sizes, pressures and applications.

# RC-11 REFLEX GLASS LEVEL INDICATORS

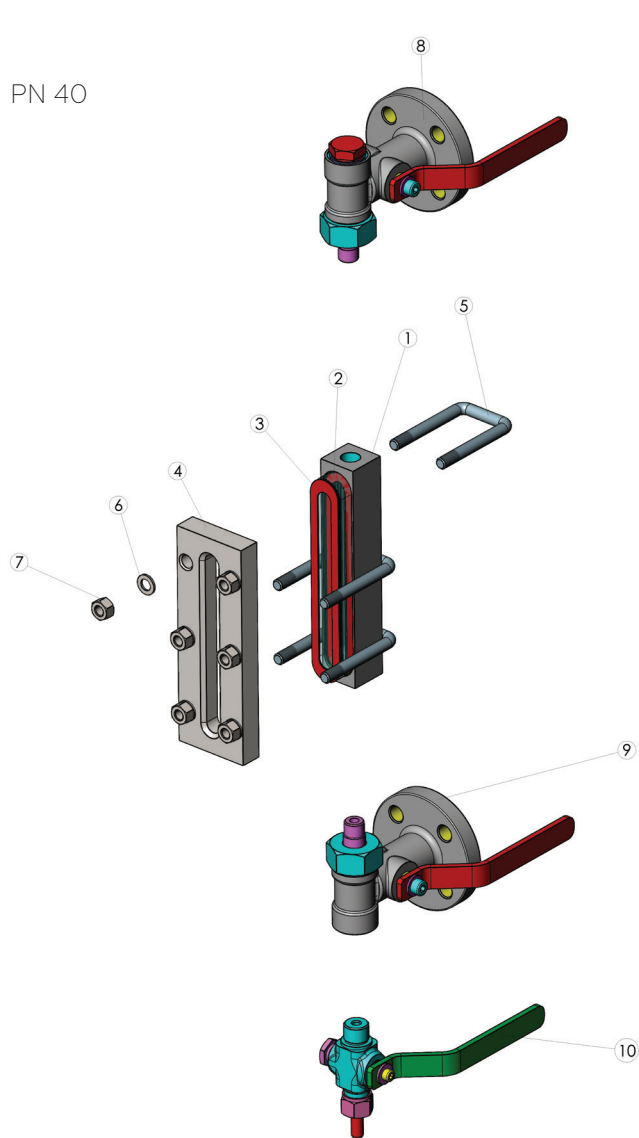
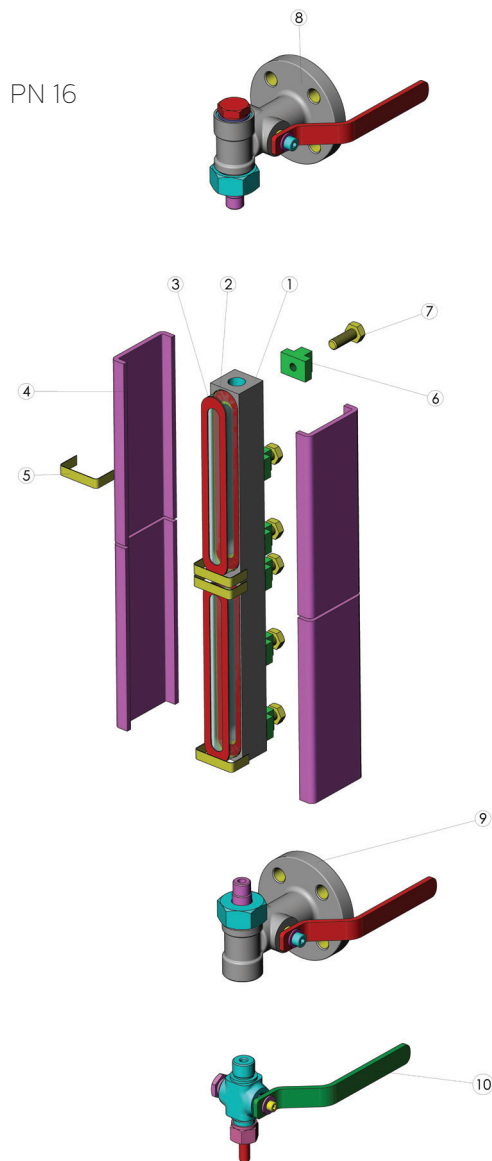
## TECHNICAL DIMENSIONS



DIMENSIONS (mm)				
No	L	B	V	G
1	310	205	168	190
2	340	235	198	220
3	370	265	228	250
4	400	295	258	280
5	440	335	298	320
6	515	410	373	190
7	575	470	433	220
8	635	530	493	250
9	695	590	553	280
10	775	670	633	320
11	900	795	758	250
12	990	885	848	280
13	1110	1005	968	320
14	1285	1180	1143	280
15	1445	1340	1303	320
16	1580	1475	1438	280
17	1780	1675	1638	320
18	2115	1973	1973	320

# RC-11 REFLEX GLASS LEVEL INDICATORS

## TECHNICAL DRAWINGS / MATERIAL LIST



NO	RC-11 PN16	MATERIAL
1	Body	A 105
2	Indicator Glass	Borosilicate
3	Body - Cover Gasket	Pure Graphite
4+5	Cover	St37
6	Seat	A 105
7	AKV Bolt	8.08 CK35
8+9	Valve Unit	GG25
10	Discharge Unit	GG25

NO	RC-11 PN40	MATERIAL
1	Body	A 105
2	Indicator Glass	Borosilicate
3	Body - Cover Gasket	Pure Graphite
4	Cover	A 105
5	Cover Tighten Part	Transmission Steel
6	Nut	M 108
7	Gasket	St37
8+9	Valve Unit	GG25
10	Discharge Unit	GG25



#### HEAD OFFICE - MAIN FACTORY

Atatürk Sanayi Bölgesi Hadımköy Mahallesi  
Mustafa İnan Caddesi No: 44 Arnavutköy - İstanbul  
Tel: +90 212 771 01 45 (pbx) | Fax: +90 212 771 47 27  
info@ayvaz.com | www.ayvaz.com



Cona  
Caserta / Italy  
Tel : +39 0823 187 3988  
rmolaro@ayvaz.com



Ayvaz Ukraine  
Kiev / Ukraine  
Tel : +380 44 390 57 57  
info@ayvaz.com.ua



Tricorr  
Warsaw / Poland  
Tel : +48 530 030 810  
tricorr@tricorr.eu



Ayvaz Germany  
Viernheim / Germany  
Tel : +49 62046014399  
germany@ayvaz.com



Ayvaz Serbia  
Belgrade / Serbia  
Tel : +381 61 658 70 52  
yakbiyik@ayvaz.com



Ayvaz Azerbaijan  
Baku / Azerbaijan  
Tel : +99(455)579-84-32  
ahayatov@ayvaz.com



Ayvaz Kazakhstan LLP  
Almaty / Kazakhstan  
Tel : +7 (727) 327 97 57  
www.ayvaz.kz



Ayvaz N  
Isperih / Bulgaria  
Tel : +359 8431 27 32  
office@ayvaz-n.eu



Ayvaz Vietnam  
HCMC / Vietnam  
Tel : +84 89 8508345  
ggursoy@ayvaz.com



Ayvaz China  
Ningbo / China  
Tel : +86 152 5830 7361  
msahin@ayvaz.com



Ayvaz Egypt  
Cairo / Egypt  
Tel : +20 122 819 78 29  
andrew.eid@ayvaz.com



Ayvaz Gulf  
Dubai / U.A.E.  
Tel : +971 563550822  
+971 501306871  
mideast@ayvaz.com



Ayvaz Americas  
Rhode Island  
Tel : +1 401 737 8380  
americas@ayvaz.com