



SK-50B

FLOAT TYPE STEAM TRAP WITH BIMETALLIC AIR VENT

GENERAL FEATURES

Ayvaz SK-50B Float Traps perform continuous evacuation, especially with the amount of condensate, at the steam saturation temperature. It is not affected by sudden and wide pressure changes. Rather, it is preferred for systems where condensate desorption is desired to be rapid, where condensation accumulation in the pipeline is undesirable. Ideal for automatic temperature control systems.

In addition to the float performing the evacuation mission, the air evacuation is also carried out by the bimetallic plates present in the body. Thus, water hammer is prevented which is caused by air deposit in the pipeline. At the same time, if the float loses its function for any reason, the bimetallic plate enters the circuit to continue the condensate removal and prevents the system from becoming blocked.

Product Material:
 Body and Cover: GG-25 Cast Iron
 Inner Part: Complete AISI304 Stainless Steel

Connection:
 Threaded or flanged

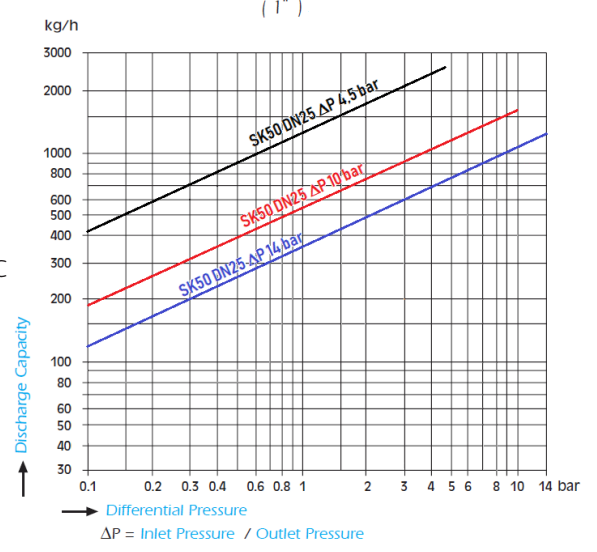
Nominal Diameter:
 DN25 - DN50

Pressure:
 Max. 16 bar.

Working Temperature:
 Max. working temperature 250 °C

- Applications:**
- Heat exchangers
 - Heating batteries
 - Tanks
 - Drying rollers

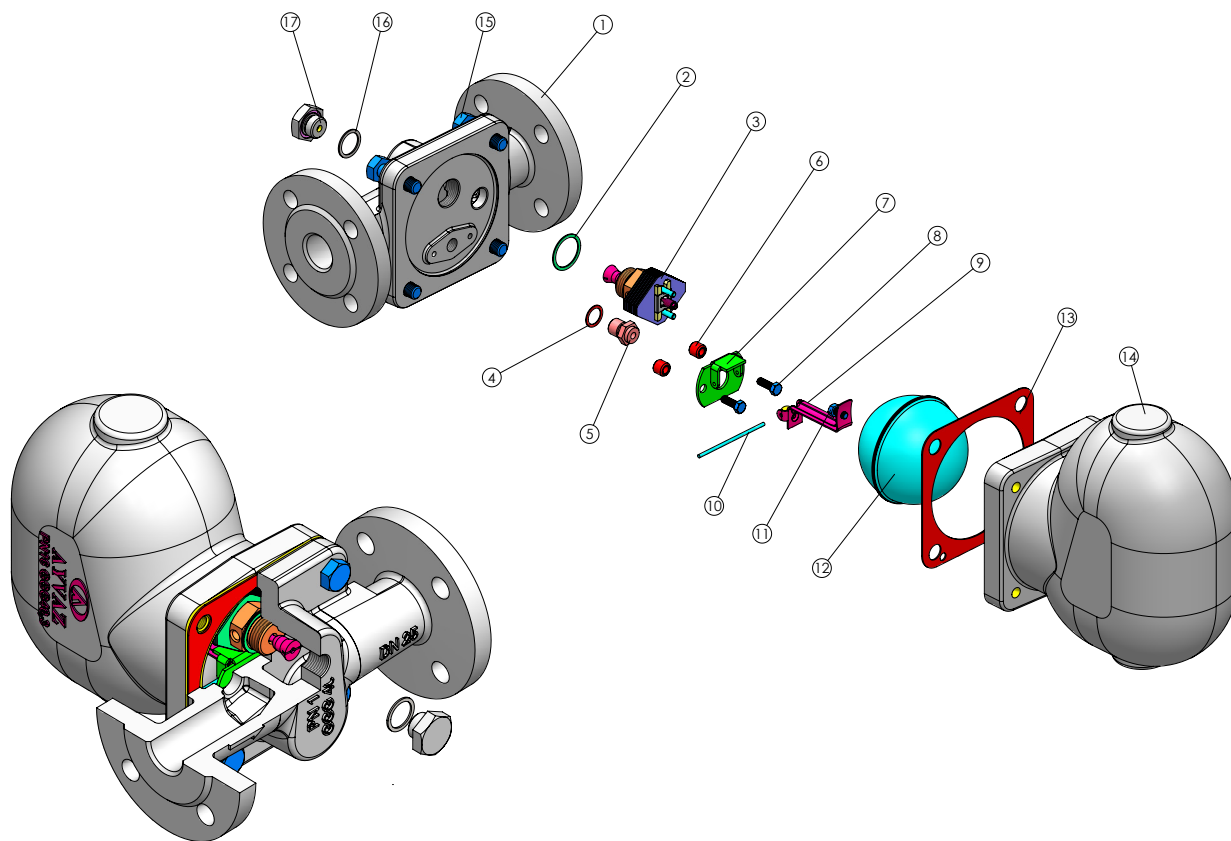
Discharge Capacities
 (1")



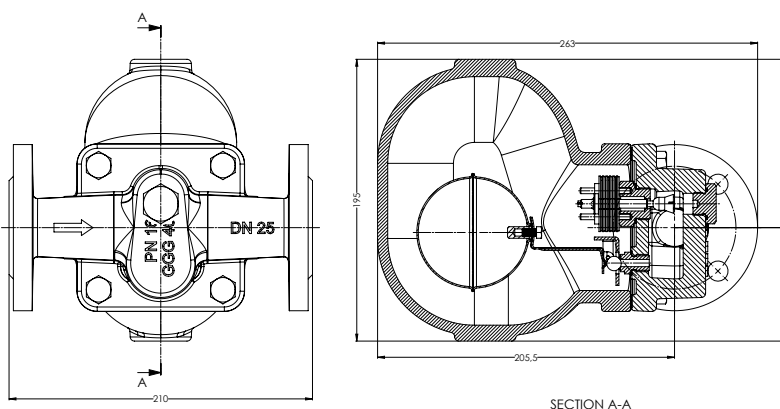
| Connection Type | Flanged | Threaded |
|-----------------|------------------|---------------------------|
| Diameters (mm) | 25-32-40-50 | 1" - 1 1/4" - 1 1/2" - 2" |
| Weight (kg) | 8,3-20,8-21,8-33 | 6,8-16,8-17,6-22 |

SK-50B BIMETALLIC FLOAT TYPE STEAM TRAP WITH AIR VENT

DN25

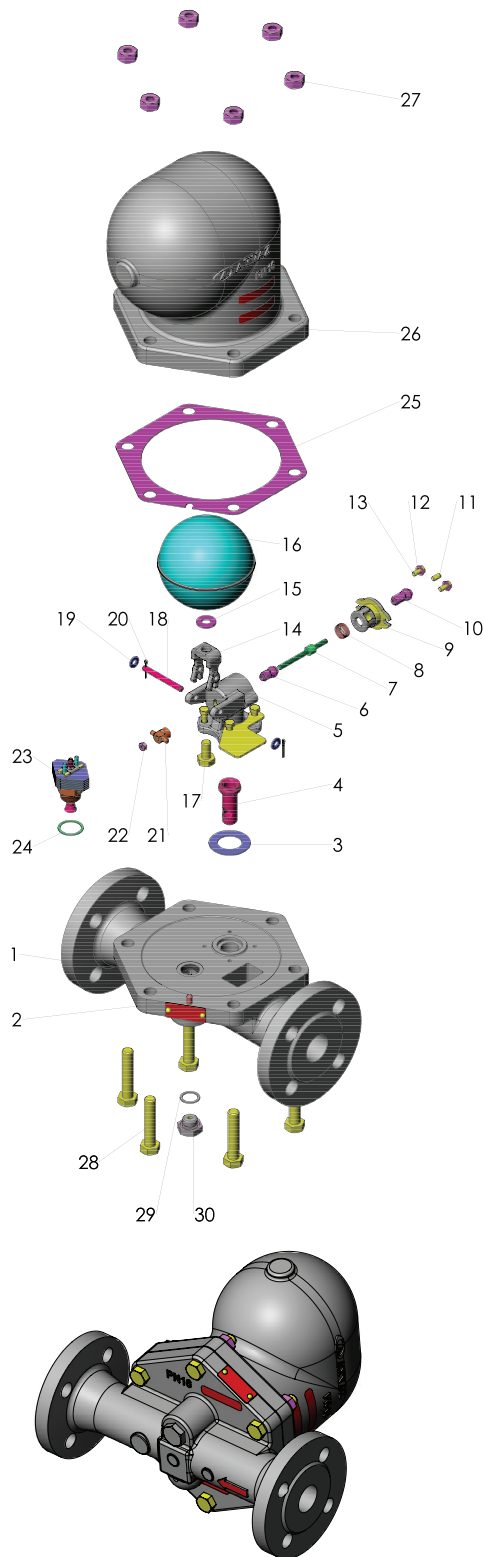


| PART LIST | | |
|-----------|--------------------|-----------------|
| 1 | Body | GGG 40.3 |
| 2 | Seat Gasket | Stainless Steel |
| 3 | Bimetallic Element | Stainless Steel |
| 4 | Float Seat Gasket | Stainless Steel |
| 5 | Float Seat | Stainless Steel |
| 6 | Pin | Stainless Steel |
| 7 | Float Connection | Stainless Steel |
| 8 | Bolt | Stainless Steel |
| 9 | Float Lever | Stainless Steel |
| 10 | Connection Stem | Stainless Steel |
| 11 | Bolt | Stainless Steel |
| 12 | Float | Stainless Steel |
| 13 | Cover Gasket | Graphite |
| 14 | Cover | GGG 40.3 |
| 15 | Bolt | 8.8 |
| 16 | Cap Gasket | Copper |
| 17 | Cap | Stainless Steel |

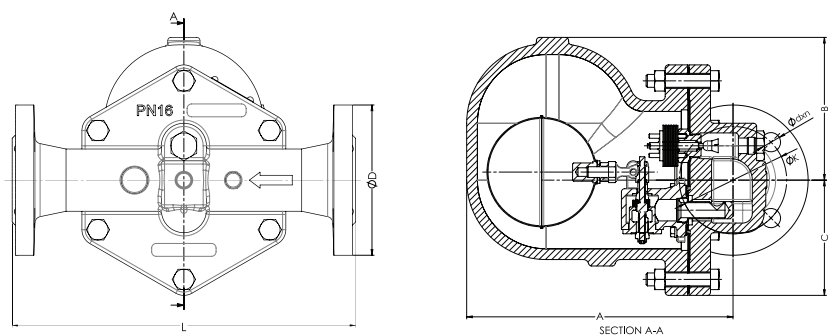


SK-50B BIMETALLIC FLOAT TYPE STEAM TRAP WITH AIR VENT

DN32 -DN40-DN50

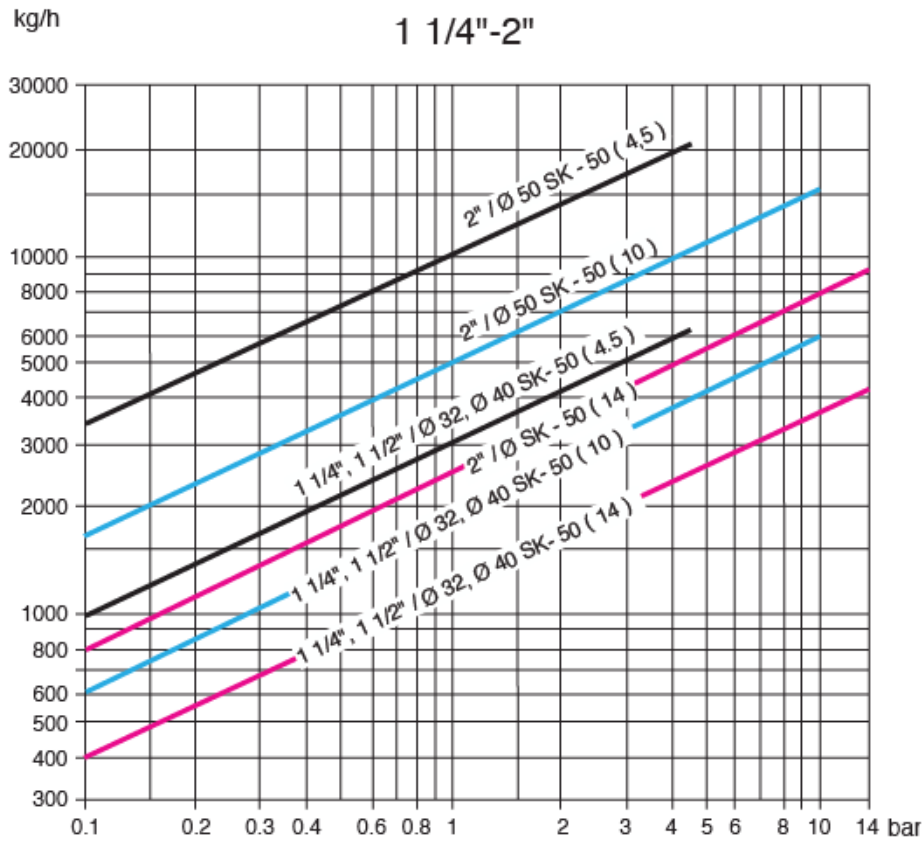


| SPARE PARTS | | |
|-------------|-----------------------|--------------------------|
| 1 | Body | GG-25 Cast Iron |
| 2 | Tighting Gasket | 55 Si 7 |
| 3 | Bearing Gasket | %94 Pure Graphite |
| 4 | Corrosion Prevention | AISI 304 Stainless Steel |
| 5 | Bearing | AISI 430 Stainless Steel |
| 6 | Valve | AISI 430 Stainless Steel |
| 7 | Seat Stem | AISI 304 Stainless Steel |
| 8 | Spring | AISI 302 Stainless Steel |
| 9 | Valve | 1.4581 |
| 10 | Seat Cover | AISI 430 Stainless Steel |
| 11 | Bolt | A2-70 |
| 12 | Shim | AISI 304 Stainless Steel |
| 13 | A.K.B. Bolt | A2-70 |
| 14 | Oscilating Pin | AISI 304 Stainless Steel |
| 15 | Shim | AISI 304 Stainless Steel |
| 16 | Float | AISI 316 Stainless Steel |
| 17 | A.K.B. Gasket | A2-70 |
| 18 | Float Connection Stem | AISI 304 Stainless Steel |
| 19 | Shim | AISI 304 Stainless Steel |
| 20 | Joiner Pin | AISI 304 Stainless Steel |
| 21 | Roller | AISI 304 Stainless Steel |
| 22 | Nut | A2 |
| 23 | Bimetallic Element | AISI 304 Stainless Steel |
| 24 | Seat Gasket | AISI 304 Stainless Steel |
| 25 | Cover Gasket | %94 Pure Graphite |
| 26 | Cover | GGG 40.3 Ductile Iron |
| 27 | Nut | 8.8 |
| 28 | A.K.B. Bolt | 8.8 |
| 29 | Stopper Gasket | Copper |
| 30 | Stopper | AISI 303 Stainless Steel |



| Dimensions | | | | | | | |
|------------|-----|-----|-----|-----|-----|------|-----|
| Dia. | A | B | C | D | K | Ødxn | L |
| 32 | 248 | 133 | 108 | 140 | 100 | 18x4 | 320 |
| 40 | 248 | 133 | 108 | 150 | 110 | 18x4 | 320 |
| 50 | 252 | 138 | 125 | 165 | 125 | 18x4 | 320 |

SK-50B BIMETALLIC FLOAT TYPE STEAM TRAP WITH AIR VENT



HEAD OFFICE - FACTORY

Atatürk Sanayi Bölgesi Hadımköy Mahallesi Mustafa İnan Caddesi No: 44 Arnavutköy - İSTANBUL
Tel: +90 212 771 01 45 (pbx) | Fax: +90 212 771 47 27
info@ayvaz.com | www.ayvaz.com

Cona Caserta/Italy

Tel: +39 0823 187 3988
rmolaro@ayvaz.com

Ayvaz Germany Viernheim/Germany

Tel: +49 62046014399
germany@ayvaz.com

Ayvaz Ukraine Kiev/Ukraine

Tel: +380 44 390 57 57
info@ayvaz.com.ua

Tricorr Warsaw/Poland

Tel: +48 530 030 810
+48 533 603 335
tricorr@tricorr.eu

Ayvaz Azerbaijan Baku/Azerbaijan

Tel: +99 (455) 579-84-32
ahayatov@ayvaz.com

Ayvaz Egypt Cairo/Egypt

Tel: +20 122 819 78 29
andrew.eid@ayvaz.com

Ayvaz Gulf Dubai/U.A.E

Tel: +971 563550822
+971 501306871
mideast@ayvaz.com

Ayvaz China Ningbo/China

Tel: +86 152 5830 7361
msahin@ayvaz.com

Ayvaz Kazakhstan LLP Almaty/Kazakhstan

Tel: +7 (727) 327 97 57
info_kz@ayvaz.com

Ayvaz N Ispirih/Bulgaria

Tel: +359 8431 27 32
office@ayvaz-n.eu

Ayvaz Serbia Belgrade/Serbia

Tel: +381 61 658 70 52
yakbiyik@ayvaz.com

Ayvaz Vietnam HCMC/Vietnam

Tel: +84 89 8508345
ggursoy@ayvaz.com

Ayvaz Americas Rhode Island/USA

Tel: +1 401 737 8380
americas@ayvaz.com