



TGV-20

FULL BORE BALL VALVE

GENERAL FEATURES

Valves are important control elements that provide on / off and flow control. Ball valves because the structures have a minimum pressure loss. In particular, AYVAZ TGV 20 provides a pressure loss equivalent to the pressure loss occurring in the same pipe.

Applications:

Hot water, cold water and Used in condensate lines.

Installation:

Installation is in all positions.

TECHNICAL SPECIFICATIONS

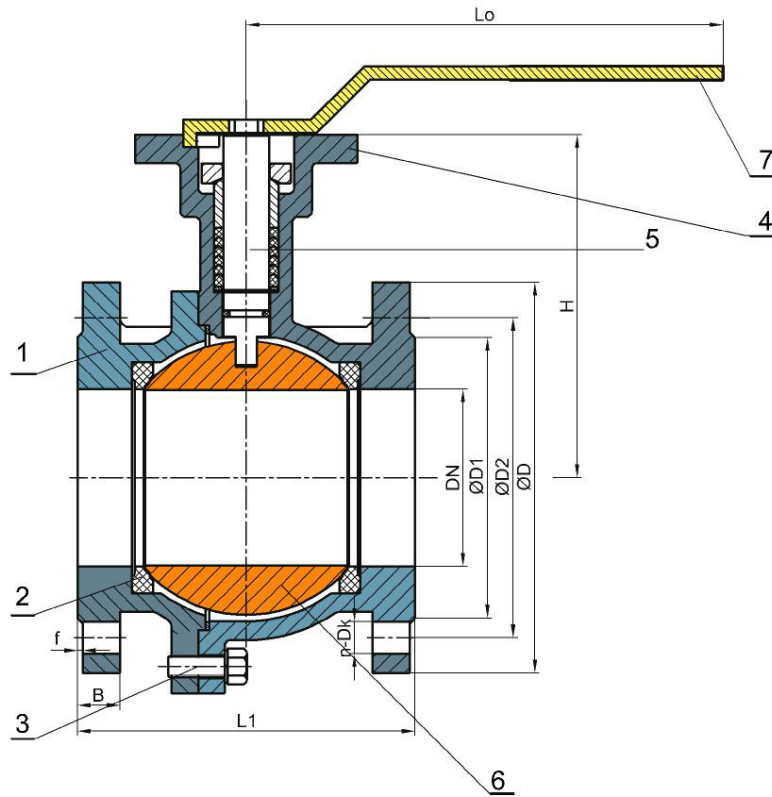
- Flanged body GG-25 cast iron
- Stainless steel ball
- Stainless steel plate and spring reinforced.
- Sphere sealing ring and control shaft ring are teflon.
- (PTFE)Outer sealing ring is silicon.
- Stainless steel stem housing with PTFE and O-ring system, which is internally mounted, provides extra sealing.
- **Flanged Connection Norms:** EN 1092-2 & TS-ISO 7005-2
- Full bore.
- Long life.
- Easy to use.

WORKING CONDITIONS	
Max. Working Pressure (bar)	10/16
Max. Working Temp. (°C)	180

WORKING CONDITIONS	
DN40 - DN150	10/16 bar
DN200 - DN250	16 bar

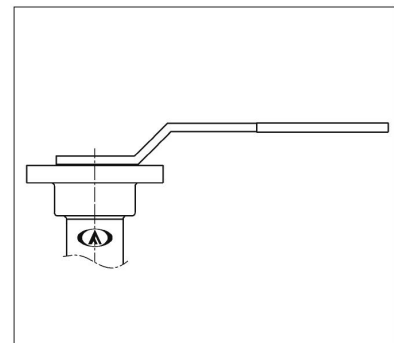
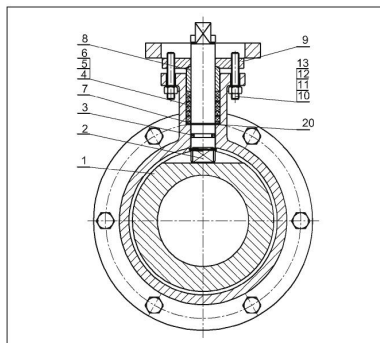
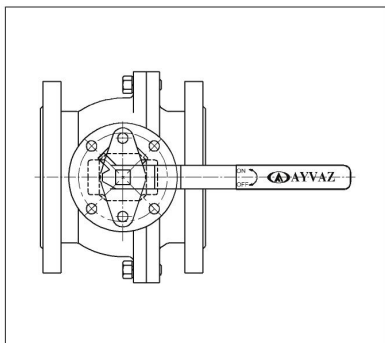
DN 40	DN 50	DN 65	DN 80	DN 100	DN 125	DN 150	DN 200	DN 250
10,6 kg	12,2 kg	18 kg	22,4 kg	29,4 kg	66,6 kg	80 kg	140 kg	203 kg

TGV-20 FULL BORE BALL VALVE



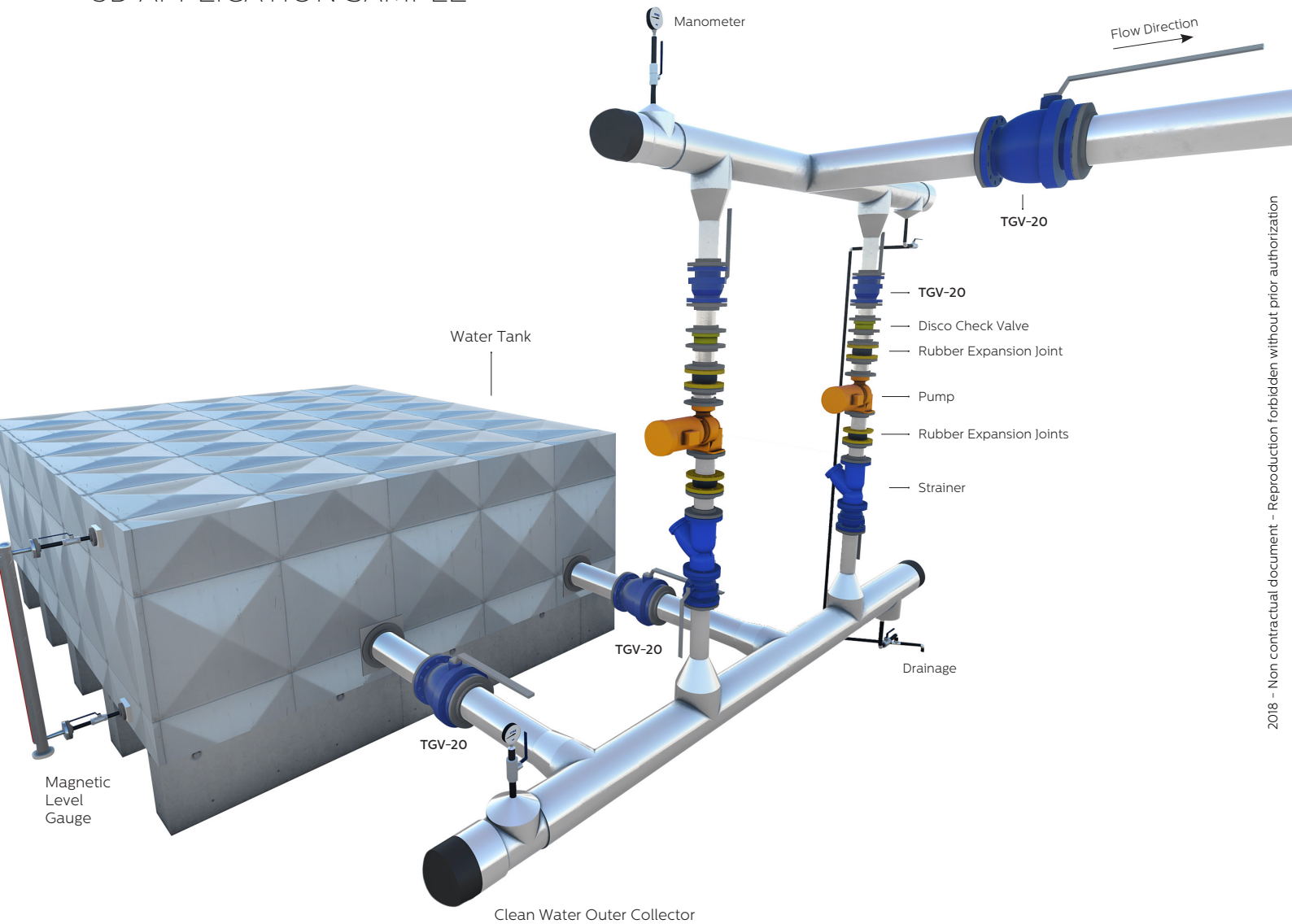
Dimensions (mm)									
PN16 - DN (mm)									
Dia.	D	D1	D2	L1	L ₀	B	f	H	n-Dk
40	150	88	110	140	200	18	3	123	4-Ø18
50	165	102	125	150	285	20	3	134	4-Ø18
65	185	122	145	170	285	20	3	142	4-Ø18
80	200	138	160	180	410	22	3	152.5	8-Ø18
100	220	158	180	190	410	24	3	186	8-Ø18
125	250	188	210	325	600	26	3	222.5	8-Ø18
150	285	212	210	350	700	26	3	215	8-Ø23
200	340	268	295	400	760	30	3	298	8-Ø23
250	405	320	355	450	900	32	3	378	8-Ø23

SPARE PARTS		
No	Part	Material
1	Body	GG-25 Cast Iron
2	Sealing Ring	PTFE
3	Bolt	A 3
4	Cover	CF8
5	Motion Stem	SS 416
6	Ball	SS 304
7	Lever	Steel



TGV-20 FULL BORE BALL VALVE

3D APPLICATION SAMPLE



2018 - Non contractual document - Reproduction forbidden without prior authorization



HEAD OFFICE - FACTORY

Atatürk Sanayi Bölgesi Hadımköy Mahallesi Mustafa İnan Caddesi No: 44 Arnavutköy - İSTANBUL
 Tel: +90 212 771 01 45 (pbx) | Fax: +90 212 771 47 27
 info@ayvaz.com | www.ayvaz.com

Cona Caserta/Italy

Tel: +39 0823 187 3988
 rmolaro@ayvaz.com

Ayvaz Germany Viernheim/Germany

Tel: +49 62046014399
 germany@ayvaz.com

Ayvaz Ukraine Kiev/Ukraine

Tel: +380 44 390 57 57
 info@ayvaz.com.ua

Tricorr Warsaw/Poland

Tel: +48 530 030 810
 +48 533 603 335
 tricorr@tricorr.eu

Ayvaz Azerbaijan Baku/Azerbaijan

Tel: +99 (455) 579-84-32
 ahayatov@ayvaz.com

Ayvaz Egypt Cairo/Egypt

Tel: +20 122 819 78 29
 andrew.eid@ayvaz.com

Ayvaz Gulf Dubai/U.A.E

Tel: +971 563550822
 +971 501306871
 mideast@ayvaz.com

Ayvaz China Ningbo/China

Tel: +86 152 5830 7361
 msahin@ayvaz.com

Ayvaz Kazakhstan LLP Almaty/Kazakhstan

Tel: +7 (727) 327 97 57
 info_kz@ayvaz.com

Ayvaz N Ispirih/Bulgaria

Tel: +359 8431 27 32
 office@ayvaz-n.eu

Ayvaz Serbia Belgrade/Serbia

Tel: +381 61 658 70 52
 yakbiyik@ayvaz.com

Ayvaz Vietnam HCMC/Vietnam

Tel: +84 89 8508345

Ayvaz Americas Rhode Island/USA

Tel: +1 401 737 8380
 americas@ayvaz.com