

TKK-11

THERMOSTATIC STEAM TRAP

AIR ELIMINATOR IN STEAM LINES

GENERAL FEATURES

Thermostatic air drainers operate according to the thermostatic attitude of a capsule which is placed into the trap.

Capsule contains a special liquid inside which has lower vapourisation temperature than water.

Installation

TKK-11 can be installed both vertically and horizontally with the pipeline. Flow direction indicator arrow on the product body should be examined carefully. In case discharging of condensate into the atmosphere, temperature of the released condensate which is around 100°C must be considered closely in order to maintain health and safety.

Connection:

Threaded

Dimension: DN15 (1/2")

Max. Allowable Pressure: 13bar

Max. Allowable Temperature: 200 °C

Applications:

- Press
- Radiator
- Steam Separator*
- Main Steam Line End App.*
- Steam Collector *

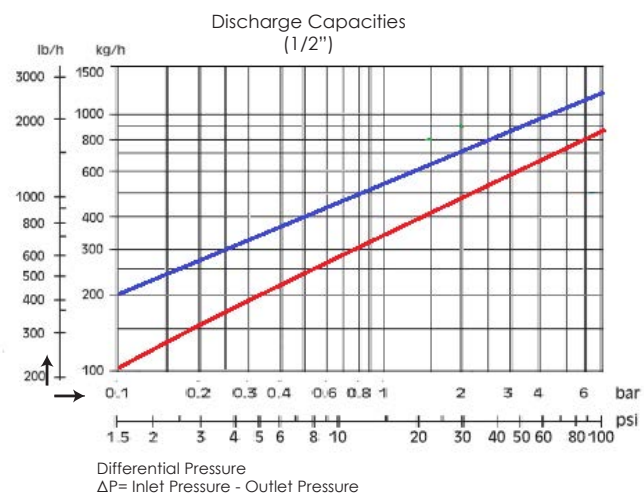
*TKK-11 is installed to this applications above is only for draining air.

Red Chart

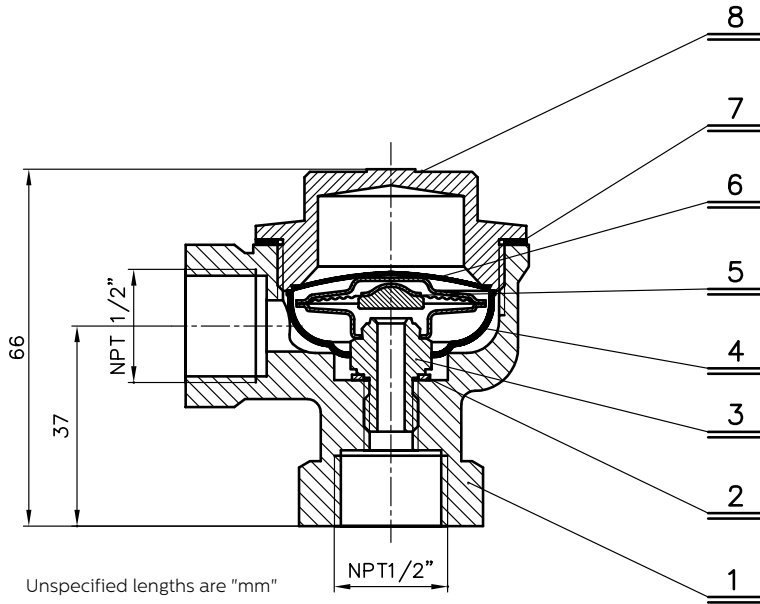
Δp = Condansate / Air Discharge at the temperature which is 10°C lower than steam saturation temperature.

Blue Chart

Δp = Cold Condansate / Air Discharge at 20°C.



TKK-11 THERMOSTATIC STEAM TRAP / AIR ELIMINATOR IN STEAM LINES



MATERIALS		
1	Body	MS 56
2	Seat Gasket	AISI 304
3	Seat	AISI 304
4	Filter	AISI 304
5	Thermostatic Capsule	Hastelloy
6	Press Spring	AISI 304
7	Cover Gasket	Klingerit
8	Cover	MS 56

