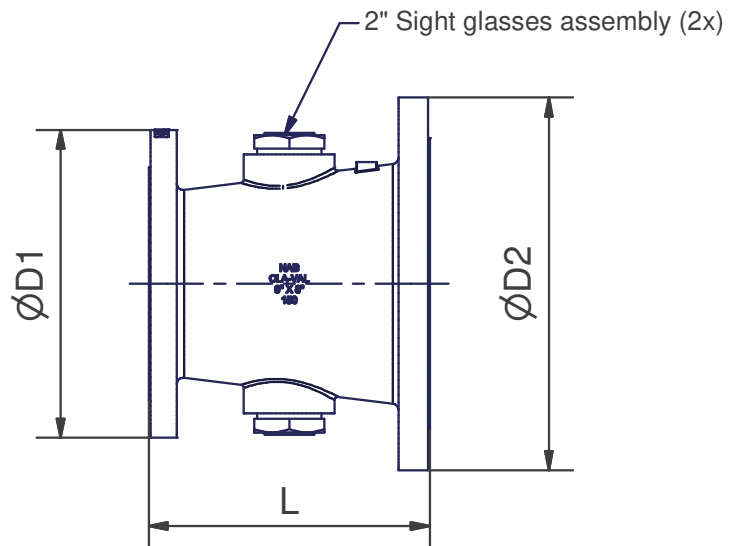


- Available for Onshore and Offshore Applications
- Manufactured in Accordance with NFPA 20 Requirements
- Designed for use with UL/FM Approved Fire Pump Pressure Relief Valves
- Single body casting (No welding)

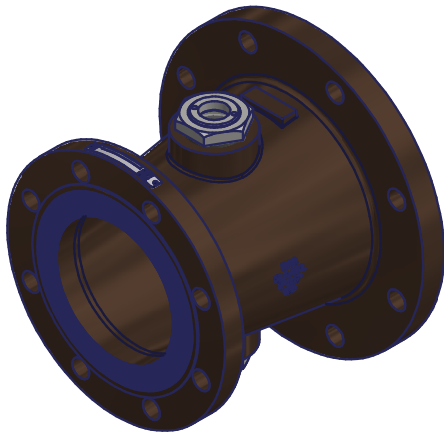
Standard:
Ductile iron - ASTM A536 / EN-GJS-400
2" 316 SS Sight glasses (2x)
Flanges: Class 150RF

Optional:
Flanges Class 150FF / Class 300FF & RF



► Dimensions (mm)

DN x DN	Class 150				Class 300			
	L	D1	D2	Weight (Kg)	L	D1	D2	Weight (Kg)
80 x 125 3" x 5"	209,5	190,5	254,0	16	234,7	209,5	279,5	26
100 x 150 4" x 6"	228,6	228,6	279,5	21	247,7	254,0	317,5	35
100 x 200 4" x 8"	260,4	228,6	342,9	30	281,0	254,0	381,0	49
150 x 200 6" x 8"	260,4	279,5	342,9	35	284,2	317,5	381,0	57
150 x 250 6" x 10"	292,1	279,5	406,5	48	320,8	317,5	444,5	78
200 x 300 8" x 12"	330,2	342,9	482,5	68	362,0	381,0	520,7	107
200 x 350 8" x 14"	355,5	342,9	533,5	83	387,4	381,0	584,2	130

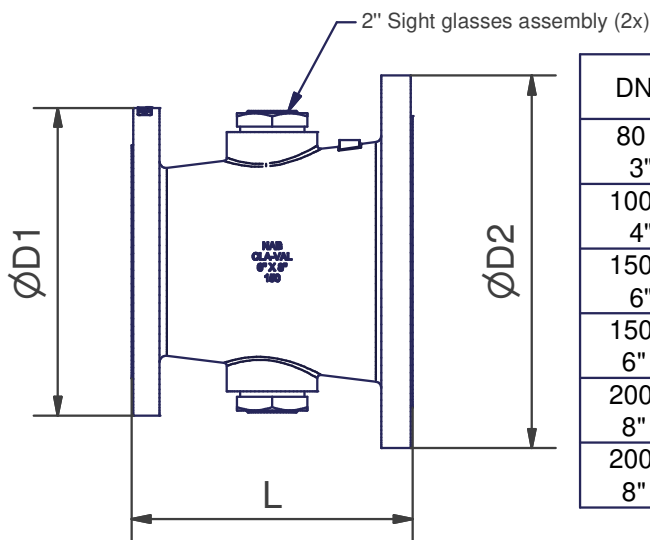


- Available for Onshore and Offshore Applications
- Manufactured in Accordance with NFPA 20 Requirements
- Designed for use with UL/FM Approved Fire Pump Pressure Relief Valves
- Single body casting (No welding)
- Materials for Seawater and Severe Service Applications

Standard:
Nickel Aluminum Bronze (NAB) - ASTM B148 Alloy C95800
2" monel Sight glasses (2x)
Flanges Class 150FF

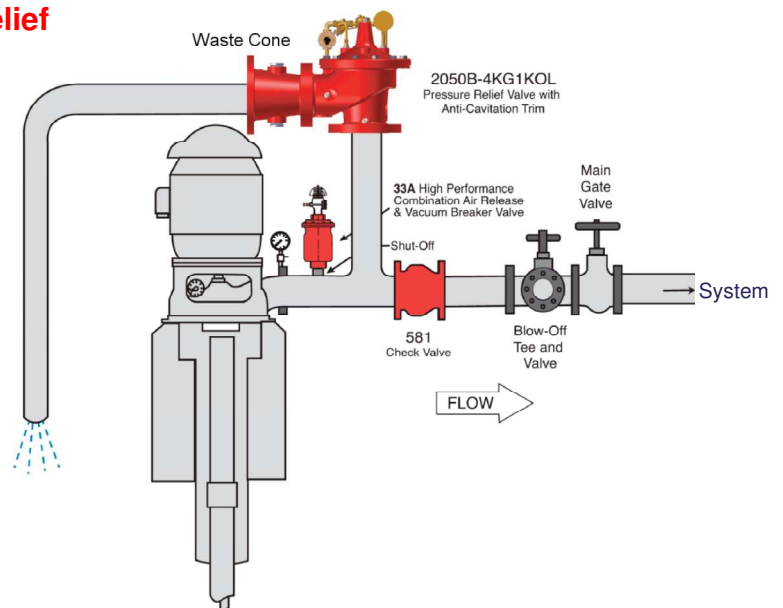
Optimal:
Material Super Duplex Stainless Steel - ASTM A995 Grade 5A
Flanges : Class 150 RF

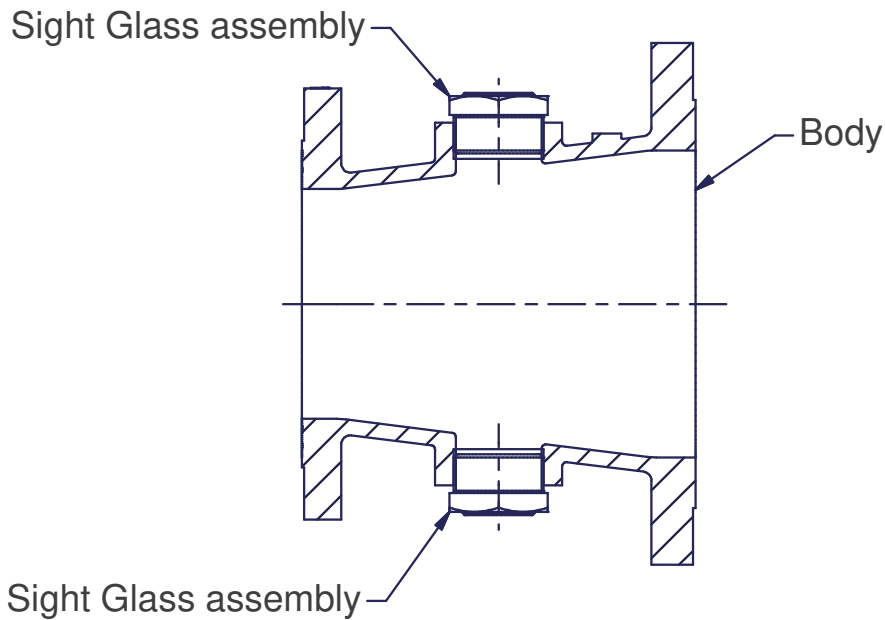
► Dimensions (mm)



DN x DN	Pressure CLASS	L	D1	D2	Weight
80 x 125 3" x 5"	150	209,5	190,5	254,0	18 kg
100 x 150 4" x 6"	150	228,6	230,0	285,0	25 kg
150 x 200 6" x 8"	150	260,4	285,0	345,0	35 kg
150 x 250 6" x 10"	150	292,0	285,0	406,0	48 kg
200 x 300 8" x 12"	150	330,0	345,0	485,0	70 kg
200 x 350 8" x 14"	150	355,5	345,0	535,0	86 kg

► Typical application for Fire Pump Relief





Part Number: Ductil Iron - Flange Class 150RF		
DN x DN	Body	Sight Glass assembly
80 x 125 (3" x 5")	210100-02C	300478-01
100 x 150 (4" x 6")	210102-02A	300478-01
100 x 200 (4" x 8")	210104-02J	300478-01
150 x 200 (6" x 8")	210106-02G	300478-01
150 x 250 (6" x 10")	210108-02E	300478-01
200 x 300 (8" x 12")	210110-02A	300478-01
200 x 350 (8" x 14")	210112-02J	300478-01

Part Number: Nickel Aluminium Bronze - Flange Class 150FF		
DN x DN	Body	Sight Glass assembly
150 x 200 (6" x 8")	300476-10	300478-02
150 x 250 (6" x 10")	300475-10	300478-02
200 x 300 (8" x 12")	300483-10	300478-02
200 x 350 (8" x 14")	300477-10	300478-02