



FAN COIL CONNECTION HOSES

Rev.07.24

info@ayvaz.com | www.ayvaz.com



About Ayvaz

Established in 1948, Ayvaz has been at the forefront of flexible connection parts manufacturing for over seven decades. Our extensive range of products includes various types and customized designs tailored to meet the specific needs of different industries.

Our company's reputation remains high, built on a foundation of providing innovative and reliable solutions to our partners. This steadfast commitment to quality and innovation has earned us the trust and loyalty of cooperators worldwide.

At Ayvaz, we are dedicated to supporting our partners around the clock, ensuring that they feel the presence and expertise of our "flexible solutions" no matter where their businesses are located. Our global reach and unwavering dedication to excellence make Ayvaz a name synonymous with reliability and innovation in the industry.

Consulting

At Ayvaz, we offer a wide range of products catering to various industries, ensuring that we meet the diverse needs of our clients. Our services go beyond just providing products; we also offer comprehensive engineering activities from product specification to project estimation, ensuring that we deliver the most specific solutions for each unique case.

Our team of experts is dedicated to sharing their knowledge and expertise with potential clients. We take pride in assisting those who encounter challenges with calculations for piping systems and product selection in new plants. Whether you are dealing with complex projects or need precise product recommendations, Ayvaz is here to provide the support and guidance you need.

FAN COIL CONNECTION HOSES

Ayvaz's fan-coil connection hose is a highly flexible structured, time and cost saving hose assembly which is highly resistant against pressure and temperature. It may be produced with or without braiding and insulation.

Application Areas:

- 
- ✔ HVAC Applications
 - ✔ Chemical and petrochemical plants
 - ✔ Oil and gas processing
 - ✔ Ship building and drilling
 - ✔ Food processing

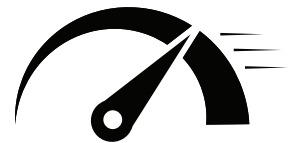
ADVANTAGES

The flexible design of the hose enables the connection between collectors and the pump with using no additional fittings (elbows etc.). This reduces the time spent on assemblies and the cost as well.

Ayvaz's fan-coil hose which has a great service life provides easy, quick and safe connections and prevents the vibration and noise by its flexible structure.

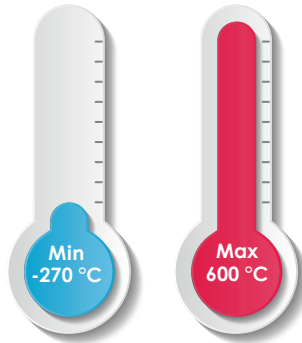


Safe



Quick

FAN COIL CONNECTION HOSES



DESIGN

Flexible fan-coil connection hose brings economical solutions for the difficulties of rigid connections. The special welding process prevents the potential corrosion caused by the moisture around the connection points. The insulation and the welding protection cover applied on the insulation help to sort problems may be caused by wrong earthing.

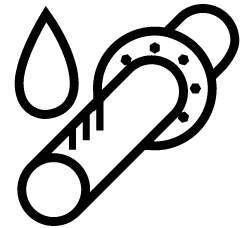
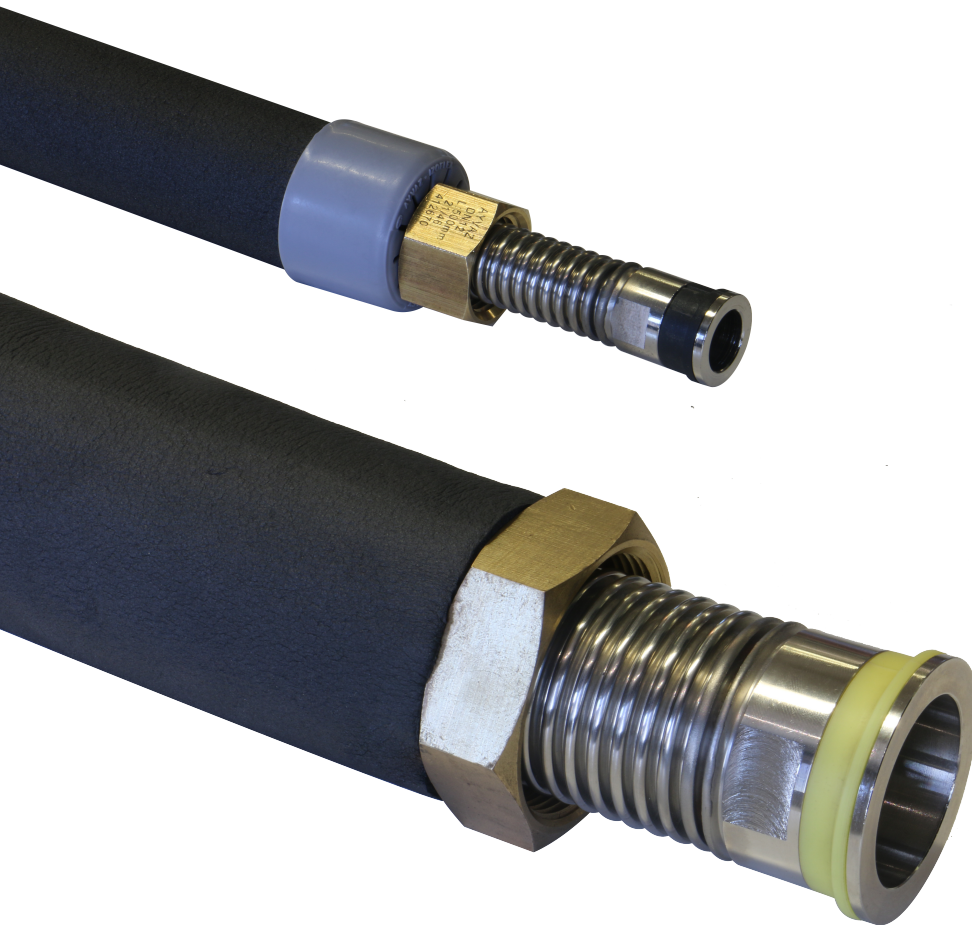


Standard corrugated
metal hose acc. to
DIN EN ISO 10380
AISI 316L AISI 304, 321 also
available upon request

Braiding
Stainless Steel AISI 304

Carbon Steel
St.37.2/Stainless Steel

FAN COIL CONNECTION DIELECTRIC HOSE



CORROSION PROTECTION



LONG LIFE

OPERATING PRESSURE

Following tables illustrate the technical specifications of Ayvaz Standard corrugated metal hoses. Two different pressure values are given for the products. First pressure value shows the maximum operating pressure at 20°C and the safety factor to be 3. Other value defines the nominal pressure value according to DIN EN ISO 10380 standard as the safety factor to be 4.

AYVAZ STANDARD CORRUGATED METAL HOSE

DN	Internal Dia.	External Dia.	Tol.	Min. Bending Radius	Nominal Bending Radius	Max. Operating Pressure at 20°C Safety Factor: 3	"Nominal Operating Pressure DIN EN ISO 10380 Safety Factor: 4"
	mm	mm	mm	rmin mm	rn mm	"P1 bar"	PN
6	6,3	9,9	0,2	15	80	25	25
		11		25		100	150
8	7,7	11,3	0,2	16	120	20	20
		12,3		32		180	100
10	10,1	14,4	0,2	18	130	16	16
		15,5		38		140	100
12	12,2	16,8	0,2	20	140	12	10
		17,5		45		85	65
16	15,6	20,8	0,2	28	160	8	6
		22,1		58		90	65
20	18,8	24,9	0,2	32	170	5	4
		26,2		70		55	40
25	24,6	31,3	0,2	40	190	4	4
		32,7		85		55	50
32	33,7	41,1	0,3	50	260	3	2,5
		42,8		105		35	25
40	42,2	50,7	0,3	60	300	2,5	2,5
		52,1		130		50	40
50	51,5	60,4	0,3	70	320	1,5	0,5
		62,7		160		40	25

FAN COIL CONNECTION HOSES

INSULATION

Ayvaz Fan-coil hoses may be provided as insulated in order to prevent sweating may be exist in the heating and cooling systems. Correct insulation selection is suggested for long service life and high efficiency as a result of preventing heat losses through hose assemblies. Ayvaz offers its Fan-coil connection hoses with two types of insulation materials.

Option 1

High-tech nano insulation Cryogel X201
(Aspen Aerogels)



Option 2

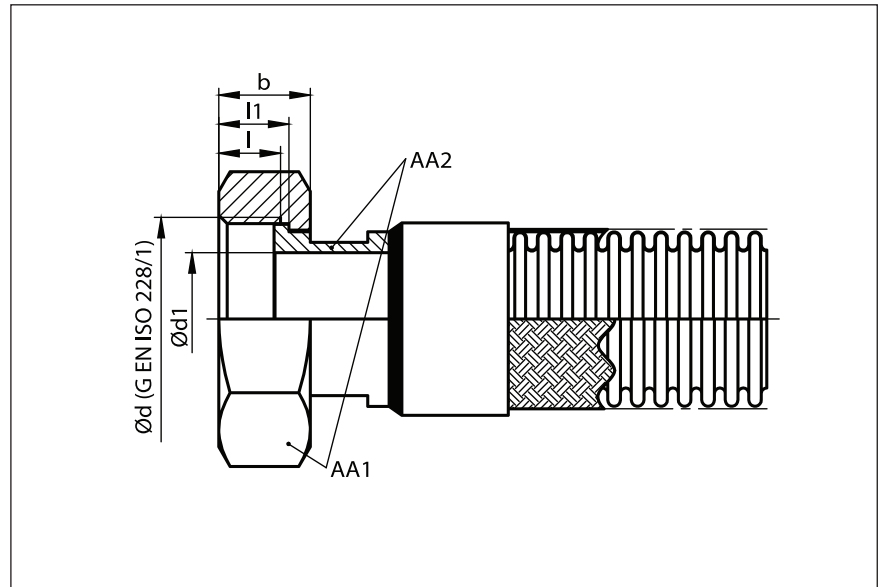
Rubber based EPDM



Feature	Value	
Thickness	5 mm	10 mm
Max. Operating Temperature	-270 °C/200 °C	
Thermal Conductivity Value	0.015 W/Mk	
Colour	White	
Density	180 kg/m ³	
Hydrophoby	Yes	

Operating Temperature	-40/+150
Heat λ , Tort=0 °C, DIN 52613 (W/mK)	< 0,038
Max. Temperature (°C)	+175
Vapour Diffusion Resistance, μ DIN 52615	> 3000
Amount of Shrinkage ASTM D 1506	1,5
Luftlammableness Class	Class 1
UV Resistance	Good
Insulation Thickness	9mm, 13mm

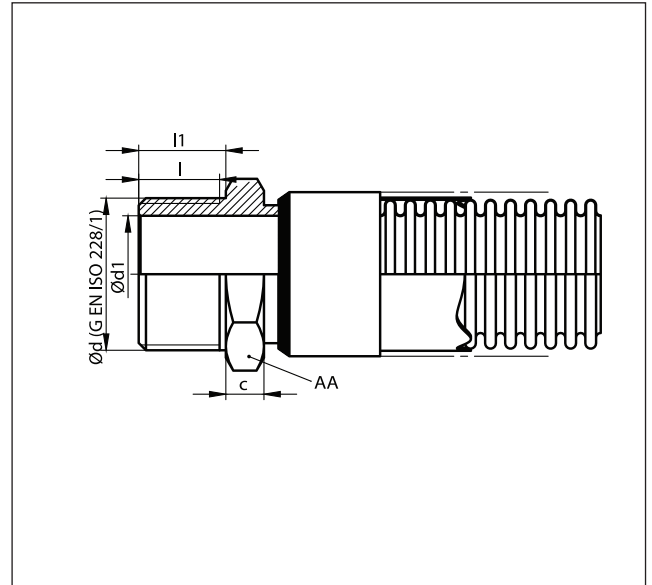
DIMENSIONS		
PN	DN	d
PN 25	6	G 1/4"
	8	
	6	G 3/8"
	8	
	10	
	10	G 1/2"
	12	
	16	
	12	G 3/4"
	16	
	20	
	16	G 1"
	20	
	25	
	20	G 1 1/4"
	25	
	32	
	25	G 1 1/2"
	32	
	40	
40	G 2"	
50		



FAN COIL

CONNECTION HOSES

DIMENSIONS			
DN	d	PN Non-Braided	Braided
6	G 1/4"	16	200
8		16	200
10		12	180
12		9	140
6	G 3/8"	16	200
8		16	200
10		12	180
12		9	140
10	G 1/2"	12	180
12		9	140
16		7	95
20		4	90
12	G 3/4"	9	140
16		7	95
20		4	90
25		3,5	60
16	G 1"	7	95
20		4	90
25		3,5	60
32		3	55
20	G 1 1/4"	4	90
25		3,5	60
32		3	55
40		2,5	50
25	G 1 1/2"	3,5	60
32		3	55
40		2,5	50
50		2,5	40
32	G 2"	3	55
40		2,5	50
50		2,5	40





FACTORIES



Türkiye 4 Factories
İstanbul / Türkiye
Tel : +90 (212) 771 01 45
info@ayvaz.com



Ayvaz N
İsperih / Bulgaria
Tel : +359 (8431) 27 32
office@ayvaz-n.eu



Tricorr
Warsaw / Poland
Tel : +48 (32) 783 295 1
tricorr@tricorr.eu



Ayvaz China
Ningbo / China
Tel : +86 (152) 5830 73 61
msahin@ayvaz.com

OFFICES



Ayvaz Americas
Rhode Island
Tel : +1 (689) 280 09 08
americas@ayvaz.com



Ayvaz Germany
Viernheim / Germany
Tel : +49 (6204) 601 43 99
germany@ayvaz.com



Cona
Caserta / Italy
Tel : +39 (0823) 187 39 88
rmolaro@ayvaz.com



Ayvaz Ukraine
Kiev / Ukraine
Tel : +380 (44) 390 57 57
info@ayvaz.com.ua



Ayvaz Gulf
Dubai / U.A.E.
Tel : +971 (6) 621 58 04
mideast@ayvaz.com



Ayvaz Serbia
Belgrade / Serbia
Tel : +381 (61) 658 70 52
yakbiyik@ayvaz.com



Ayvaz Azerbaijan
Baku / Azerbaijan
Tel : +99 (455) 579 84 32
ahayatov@ayvaz.com



Ayvaz Egypt
Cairo / Egypt
Tel : +20 (122) 819 78 29
andrew.eid@ayvaz.com



Ayvaz Vietnam
HCMC / Vietnam
Tel : +84 (89) 850 83 45
ggursoy@ayvaz.com



Ayvaz Kazakhstan LLP
Almaty / Kazakhstan
Tel : +7 (727) 327 97 57
www.ayvaz.kz